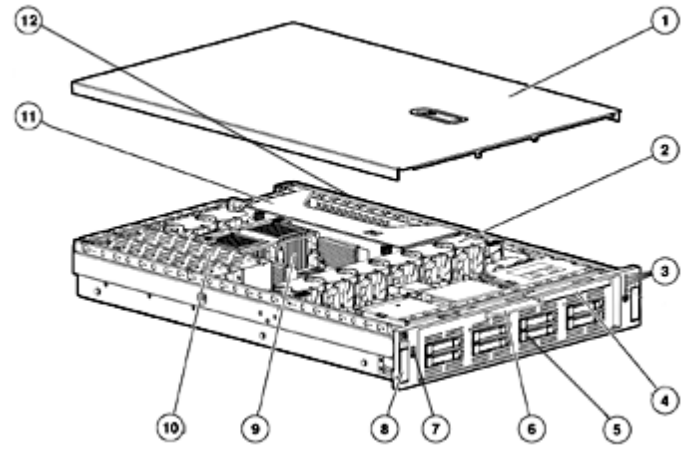
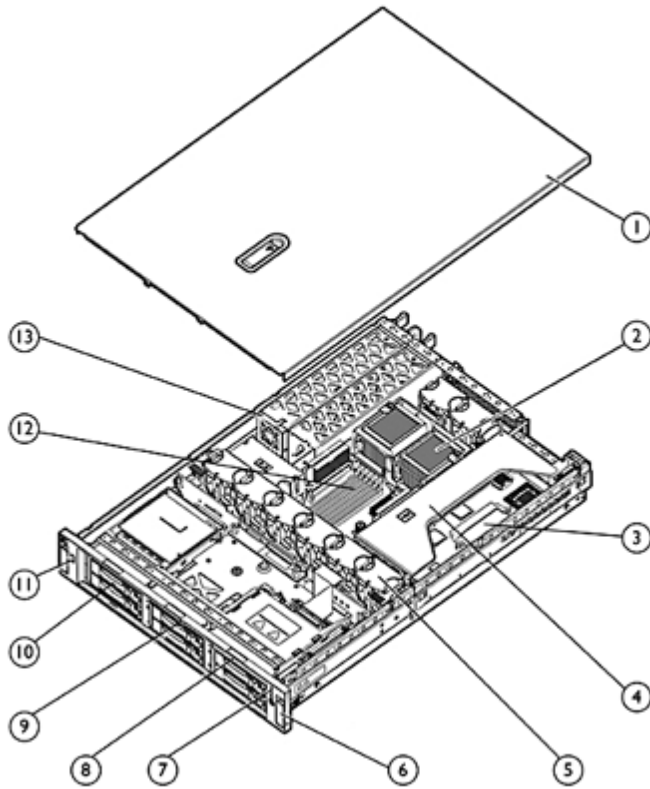


### Overview

SCSI Model

SAS Model



1. Quick removal access panel
2. Intel Xeon Processor (High performance models include two processors)
3. Smart Array 6i Ultra320 array controller with optional 128MB Battery Backed Write Cache (BBWC) or Smart Array P600 controller with standard 256MB Battery Backed Write Cache. (All High performance models include BBWC)
4. Three PCI-X non-hot plug expansion slots (or optional PCI-X hot plug expansion cage or PCI Express expansion cage)
5. Hot-plug fans, full redundancy option (All 2M Cache models and High performance models include fully redundant fans)
6. Quick release lever for fast server access
7. Front LEDs (show server status) and Unit Identification button/LED (for easy in rack server identification)
8. 24X Max CD-ROM (High performance models include DVD-ROM drive)
9. Optional 1.44 MB (3.5") Diskette Drive (High performance models include Diskette Disk Drive)
10. Support for six 1" Ultra320 SCSI hot plug hard drives (or five SATA hot plug hard drives (SATA 6G, SATA 3G))

1. Quick removal access panel
2. Hot-plug fans, full redundancy option (All 2M Cache models and High performance models include fully redundant fans)
3. Front LEDs (show server status) and Unit Identification button/LED (for easy in rack server identification)
4. 24X Max CD-ROM (High performance models include DVD-ROM drive)
5. Support for eight universal small form factor hot plug hard drives
6. Optional 1.44 MB (3.5") Diskette Drive (High performance models include Diskette Disk Drive)
7. USB port (USB 2.0 Support)
8. Quick release lever for fast server access
9. Intel Xeon Processor (High performance models include two processors)
10. Hot plug power supply, redundancy option (High performance models include redundant power supply)
11. Three PCI-X non-hot plug expansion slots (or optional PCI-X hot plug expansion cage or PCI Express expansion cage)

### Overview

- hot plug hard drives and one DAI 4U or DAI 7/2 hot plug tape drive)
- 11. USB port (USB 2.0 Support)
- 12. Hot plug power supply, redundancy option (High performance models include redundant power supply)
- 13. Six PC2-3200R 400MHz DDR2 Sockets
- 12. Smart Array P600 controller with standard 256MB Battery Backed Write Cache. (All High performance models include BBWC)

### What's New

Introducing the ProLiant DL380 G4 SAS model with the latest Dual-Core Intel Xeon Processors with Hyperthreading technology for maximum application performance.

- New SAS Model: DL380R04 X2.8-2x2MB/800 DC, 1GB SAS
- Improve server responsiveness
- Increase performance up to 50%
- Enhance multi-tasking

### At a Glance

- 64-bit Intel® Xeon™ processors (up to 3.6 GHz), a 800MHz Front Side Bus and 1MB or 2MB of L2 cache (two processors included in High Performance models)
- High performance models based on the 3.4 GHz 2MB Intel Xeon Processor and the 3.6 GHz 2MB Intel Xeon Processor
- Intel E7520 Chipset
- 1 GB PC2-3200R 400MHz DDR2 Memory with online spare capabilities (2 GB included in High Performance models)
- Support for dual-rank 400MHz DDR2 memory
- SAS (Serial attached SCSI) models include the Smart Array P600 Performance SAS Array Controller with 256MB Battery-Backed Write Cache. SCSI models include the integrated Smart Array 6i Ultra320 Array Controller with optional 128MB of Battery Backed Write Cache (BBWC standard on all high performance models)
- (8) small form factor hot-plug drive bays or (6) hot-plug U320 SCSI drive bays, SCSI models have (1) 1.6" bay that supports a hot-plug DAT tape backup drive
- HP Power Regulator for ProLiant, delivering server level, policy based power management with industry leading energy efficiency and savings on system power and cooling costs
- Integrated Lights-Out industry leading remote management with new support for two-factor authentication, schema-free Microsoft Active Directory integration, Power Regulator p-state reporting, USB key virtual media and VLAN on the shared network port
- Internal hot plug capacity 1.8 TB standard (6 x 300 GB 1" HD)
- Hot Plug Fans with optional full redundancy (Included in 2MB Cache and High performance models)
- Hot Plug Power Supply with optional redundancy (Included in High performance models)
- Tool-less access to all system components for easy in rack serviceability
- Three 64-bit PCI-X slots (2 available on SAS models), including two non-hot plug 100MHz slots and one non-hot plug 133MHz slot or optional PCI-X Hot-plug cage or Optional PCI Express Non-hot plug Cage (U320 SCSI Models only)
- Embedded NC7782 Dual Port PCI-X 10/100/1000T Gigabit network adapter
- Optional dual channel drive backplane (2/4 split) for U320 SCSI models (Included in SCSI High Performance Models)
- Optional dual channel drive backplane (2/4 split) (Included in High Performance Models)
- Optional floppy disk drive (Included in High Performance Models)
- USB 2.0 support, one port up front and two ports in back
- Quick Deploy Rail System includes sliding universal rails, an ambidextrous cable management arm and quick release levers for fast and easy serviceability and in-rack tool-less access to major components
- High performance models available fully loaded for convenience
- Integrated Lights-Out (iLO) Standard Management on system board
- Support for new iLO Shared Network Port enables access to the iLO management processor through one of the embedded system NICs
- Automatic Server Recovery (ASR), ROM Based Setup Utility (RBSU), HP System Insight Manager, Status LEDs including system

### Overview

health and UID and SmartStart

- Protected by HP Services and a worldwide network of resellers and service providers. Three-year Next Business Day, on-site limited global warranty. Certain restrictions and exclusions apply. Pre-Failure Notification on processors, memory, and SCSI hard drives. SATA hard drives have a one-year warranty.

### Standard Features

**NOTE:** For the Standard Features shipped in the "Factory Integrated Models", please see the "Configuration Information - Factory Integrated Models" section.

<b>Processor</b>	Intel Xeon Processor 3.2 GHz/800MHz -1MB L2
<b>One of the following depending on Model</b>	Intel Xeon Processor 3.4 GHz/800MHz -1MB L2
	Intel Xeon Processor 3.6 GHz/800MHz -1MB L2
	Intel Xeon Processor 3.0 GHz/800MHz -2MB L2
	Dual-Core Intel Xeon Processor 2.8 GHz/800MHz - 2x2MB L2
	<b>NOTE:</b> This kit is not backwards compatible, existing systems cannot be upgraded.
	Intel Xeon Processor 3.2 GHz/800MHz -2MB L2
	Intel Xeon Processor 3.4 GHz/800MHz -2MB L2
	Intel Xeon Processor 3.6 GHz/800MHz -2MB L2

---

<b>Cache Memory</b>	1MB Level 2 cache
<b>One of the following depending on Model</b>	2MB Level 2 cache
	2x2MB Level 2 cache (Dual-Core Models)

---

<b>Upgradeability</b>	Upgradeable to dual processing
-----------------------	--------------------------------

---

<b>Chipset</b>	Intel E7520 Chipset
	<b>NOTE:</b> For more information regarding Intel chipsets, please see the following URL: <a href="http://www.intel.com/products/server/chipsets/">http://www.intel.com/products/server/chipsets/</a> .

---

<b>Memory Protection</b>	Online spare Advanced ECC
--------------------------	------------------------------

---

<b>Memory</b>	Type	PC2-3200R 400MHz DDR2
<b>One of the following depending on model</b>	Standard (base models)	1024 MB
	Standard (High Performance models)	2048 MB
	Maximum	12 GB

---

<b>Network Controller</b>	Embedded NC7782 Dual Port PCI-X 10/100/1000T Gigabit network adapter
---------------------------	--

---

### Standard Features

#### PCI-X Non-Hot Plug Riser

Expansion Slots	Slot Number	Bus Speed	Bus Number*	Device Number**	Hot Plug	PCI Voltage
	1	64-bit/133MHz PCI-X	10	1	no	3.3 Volt
	2	64-bit/100MHz PCI-X	6	1	no	3.3 Volt
	3	64-bit/100MHz PCI-X	6	2	no	3.3 Volt

**NOTE:** The Smart Array P600 SAS array controller with 256MB BBWC installed in Slot 1 on SAS models.

**NOTE:** Universal cards are supported.

#### PCI-X Hot Plug Riser (Optional)

1	64-bit/133MHz PCI-X	10	1	no	3.3 Volt
2	64-bit/100MHz PCI-X	6	1	yes	3.3 Volt
3	64-bit/100MHz PCI-X	6	2	yes	3.3 Volt

**NOTE:** Universal cards are supported

#### PCI Express Non-Hot Plug Riser

(Optional on U320 SCSI Models only)

1	PCI Express x4	8	0	no	NA
2	PCI Express x4	5	0	no	NA

**NOTE:** x8 cards are supported but will run at x4 speeds.

**\*NOTE:** Default bus assignment. Inserting cards with PCI bridges may alter the actual bus assignment number.

**\*\*NOTE:** Slots are enumerated differently based on OS. MS OS's enumerate from lowest to highest Device ID by bus (starting with the lowest bus).

**NOTE:** For more information regarding PCI-X, please see the following URL:

<http://www.HP.com/servers/pci-x>.

#### Storage Controller

Smart Array 6i Controller (integrated on system board) OR  
Smart Array P600 with 256MB battery-backed write cache (SAS Models)

#### Storage

Diskette Drive	1.44 MB Diskette Drive (optional on some models)
Optical Drive	24x IDE CD-ROM (IDE DVD-ROM included on High performance models)
Hard Drives	None Standard <b>NOTE:</b> U320 SCSI models can be operated in single channel or dual channel (2/4 split). SCSI configuration kit (364471-B21) is required for dual channel configurations.

#### Maximum Internal Storage Type

Hot Plug U320 SCSI	1.8 TB	6 x 300 GB with standard internal hot plug SCSI drive cage
Hot Plug SAS	576 GB	8 x 72 GB with standard internal hot plug small form factor SAS drive cage

### Standard Features

Interfaces	Serial	1
	Pointing Device (Mouse)	1
	Graphics	1
	Keyboard	1
	External SCSI (VHDCI)	1
	Network RJ-45	3 (1 for iLO)
	USB	3 (1 front, 2 back)
<p><b>NOTE:</b> Please see the following URL for additional information regarding USB support:  <a href="http://h18004.www1.hp.com/products/servers/platforms/usb-support.html">http://h18004.www1.hp.com/products/servers/platforms/usb-support.html</a>.</p>		
Graphics	Integrated ATI Rage XL Video Controller with 8-MB SDRAM Video Memory	
Form Factor	Rack (2U), (3.5-inch)	
ProLiant Essentials Foundation Pack Software	HP Systems Insight Manager	HP's new HP Systems Insight Manager (HP SIM) helps maximize system uptime and performance and reduce system maintenance costs by providing proactive notification of problems before those problems result in unplanned downtime or reduced productivity. HP SIM are both easy to set up work with the Insight Management Agents, integrated Lights-Out and Remote Insight Lights-Out Edition, and Version Control Agents to deliver robust fault, configuration, and asset management as well as remote administration. With HP SIM customers will also be able to take advantage of role-based security; the ability to manage ProLiant, Integrity, and HP 9000 systems; and plug-ins for storage, client, printer, and power management as well as server rapid deployment, performance management, and workload management. For more details on HP SIM visit <a href="http://www.hp.com/go/hpsim">http://www.hp.com/go/hpsim</a> .
	SmartStart	SmartStart is a tool that simplifies server setup, providing a rapid way to deploy reliable and consistent server configurations. For more information, please visit the SmartStart Web site at: <a href="http://www.hp.com/servers/smartstart">http://www.hp.com/servers/smartstart</a> SmartStart version supported (minimum): SmartStart 7.10 SmartStart version supported (minimum for SCSI models): SmartStart 7.10 SmartStart version supported (minimum for SAS models): SmartStart 7.30
	Management Agents	The Management Agents form the foundation for HP's Intelligent Manageability strategy. They provide direct, browser-based access to in-depth instrumentation built into HP servers, workstations, desktops, and portables, and send alerts to HP Systems Insight Manager and other enterprise management applications in case of subsystem or environmental failures. For additional information about the Management Agents and other management products from HP, please visit the management Web site at: <a href="http://www.hp.com/servers/manage">http://www.hp.com/servers/manage</a>

### Standard Features

Subscribers Choice	Subscriber's Choice Driver and Support Alerts/Notifications is a web-based email subscription service that provides automatic delivery of software and driver change notifications for ProLiant products. Sign up at <a href="http://www.hp.com/go/subscriberschoice">http://www.hp.com/go/subscriberschoice</a> and customize your profile to receive various new alerts as they become available, on a weekly or monthly basis.
ROMPaq, support software, and configuration utilities	The latest software, drivers, and firmware fully optimized and tested for your ProLiant server and options available in SmartStart or downloadable from Software and Drivers download pages <a href="http://www.hp.com/go/support">http://www.hp.com/go/support</a> .
Insight Diagnostics Online Edition	The most advanced configuration analysis, reporting and troubleshooting utilities used by HP and at your fingertips, available in SmartStart.
Optional ProLiant Essentials Value Packs	Optional software offerings that selectively extend the functionality of an Adaptive Infrastructure to address specific business problems and needs: <ul style="list-style-type: none"><li>• Rapid Deployment Pack - an automated solution for multi-server deployment and provisioning, enabling companies to quickly and easily adapt to changing business demands.</li><li>• Workload Management Pack - provides easier management of complex environments, improving overall server utilization and enabling Windows 2000 customers for the first time to confidently deploy multiple applications on a single multiprocessor ProLiant Server.</li><li>• Integrated Lights-Out Advanced Pack - upgrades the Integrated Lights-Out processor to full virtual presence and control with graphical console and virtual media.</li><li>• Performance Management Pack - a performance management solution that identifies and explains hardware performance bottlenecks on ProLiant servers and attached options enabling users to better utilize their valuable resources.</li><li>• Intelligent Networking Pack - detects and analyzes network bottlenecks or broken network linkages and steers traffic to the optimum route based on network conditions, plus it provides an extra layer of protection. The virus throttle feature of the solution slows the propagation of fast spreading virus.</li><li>• Vulnerability and Patch Management Pack - identifies and remediates software security vulnerabilities due to missing patches as well operating system configurations that can be exploited by viruses, worms, and other blended threats.</li><li>• Virtual Machine Management Pack - provides central management and control of virtual machines from Microsoft and VMware. Integrated approach provides the ability to manage both physical and virtual resources from a single management console.</li></ul>

**NOTE:** Flexible and volume quantity license kits are available for ProLiant Essentials Value Packs. Refer to <http://www.hp.com/servers/proliantessentials> or the various ProLiant Essentials Value Pack product QuickSpecs for more information.

**NOTE:** For more information regarding ProLiant Essentials Software, please see the following URL: <http://www.hp.com/servers/proliantessentials>

### Standard Features

Industry Standard Compliance	ACPI 2.0 Compliant PCI 2.2 Compliant WOL Support Microsoft® Logo certifications USB 2.0 Support
------------------------------	---

Remote Management	Integrated Lights Out (iLO) Standard Management: <ul style="list-style-type: none"><li>• Virtual Text Remote Console</li><li>• Virtual Power Button Control</li><li>• Dedicated &amp; shared LAN Connectivity</li><li>• Browser and command line access</li><li>• Automatic IP Configuration via DHCP/DNS/WINS</li><li>• Industry Standard 128-bit Secure Sockets Layer (SSL) and Secure Shell Security</li><li>• IML and iLO Event Logging</li><li>• Support for 12 user accounts with customizable access privilege</li></ul>
-------------------	---

Integrated Lights Out Advanced Pack (optional) Remote Graphical Console:

- Microsoft Remote Desktop for Administrators integration
- Virtual media (floppy, CD, USB key, floppy images and ISO images)
- User access management via Directory Services
- Two-factor authentication

Remote Insight Lights-Out Edition II (optional)

Intelligent Manageability	HP Systems Insight Manager SmartStart Redundant ROM Remote Flash ROM Management Agent Integrated Management Log Automatic Server Recovery (ASR) Dynamic Sector Repairing (with Smart Array Controllers) Drive Parameter Tracking (with Smart Array Controllers) Hot Spare Boot <b>(NOTE: Upon the event of a failed processor or VRM in a multi-processing environment, the system will automatically reboot and use the remaining good processor(s).)</b> Pre-Failure Warranty (covers processors, SCSI hard drives and memory)
---------------------------	---

Server Power Cords	One Lowline NEMA power cord and One Highline IEC Power cord ships standard
--------------------	--

UPS and PDU Power Cord Matrix	Please see the UPS and PDU cable matrix that lists cable descriptions, requirements, and specifications for UPS and PDU units: <a href="ftp://ftp.compaq.com/pub/products/servers/ProLiantstorage/power-protection/powercordmatrix.pdf">ftp://ftp.compaq.com/pub/products/servers/ProLiantstorage/power-protection/powercordmatrix.pdf</a> .
-------------------------------	---

Power Supply	575 Watt, CE Mark Compliant Optional Hot Plug AC Redundant Power Supply
--------------	--

### Standard Features

<b>System Fans</b>	5 hot plug fans ship standard. 8 hot plug fans total supported internally for full redundancy <b>NOTE:</b> The additional 3 fans are available via Redundant Fan Option Kit (PN 293048-B21), this kit is included with all high performance, SAS models and 2MB cache models.
<b>Required Cabling</b>	For required cabling information, refer to the Web site at: <a href="http://h18000.www1.hp.com/products/servers/proliantDL380/">http://h18000.www1.hp.com/products/servers/proliantDL380/</a> .
<b>OS Support</b>	Microsoft Windows Server 2000 Microsoft Windows Server 2003 Novell NetWare LINUX (Red Hat, SuSE) SCO UnixWare, OpenServer VMware Virtualization Software  <b>NOTE:</b> For more complete and up-to-date information on how to buy server operating systems from HP please visit the OS product site at: <a href="http://h18004.www1.hp.com/products/servers/software/OEM.html">http://h18004.www1.hp.com/products/servers/software/OEM.html</a> . <b>NOTE:</b> For a more complete and up-to-date listing of supported OSs and versions, please visit our OS Support Matrix at: <a href="http://www.hp.com/go/supportos">http://www.hp.com/go/supportos</a> . <b>NOTE:</b> For an up-to-date listing of the latest drivers available for the HP ProLiant DL380 G4, please see: <a href="http://h18023.www1.hp.com/support/files/server/us/index.html">http://h18023.www1.hp.com/support/files/server/us/index.html</a> . <b>NOTE:</b> For a more complete and up-to-date information on Linux support, please visit HP Linux Web site at: <a href="http://h18000.www1.hp.com/products/servers/linux/hpLinuxcert.html">http://h18000.www1.hp.com/products/servers/linux/hpLinuxcert.html</a> . <b>NOTE:</b> For more information on HP's Certified and Supported ProLiant Servers, please visit the VMware Server Support Matrix at: <a href="http://h18004.www1.hp.com/products/servers/software/vmware/hpvmwarecert.html">http://h18004.www1.hp.com/products/servers/software/vmware/hpvmwarecert.html</a> .
<b>Rack Airflow Requirements</b>	<b>Rack 10000 series Cabinets</b> The increasing power of new high-performance processor technology requires increased cooling efficiency for rack-mounted servers. The 10000 Series Racks provide enhanced airflow for maximum cooling, allowing these racks to be fully loaded with servers using the latest processors.  <b>CAUTION:</b> If a third-party rack is used, observe the following additional requirements to ensure adequate airflow and to prevent damage to the equipment: <ul style="list-style-type: none"><li>○ Front and rear doors: If your 42U server rack includes closing front and rear doors, you must allow 830 square inches (5,350 sq cm) of hole evenly distributed from top to bottom to permit adequate airflow (equivalent to the required 64 percent open area for ventilation).</li><li>○ Side: The clearance between the installed rack component and the side panels of the rack must be a minimum of 2.75 inches (7 cm).</li></ul> <b>CAUTION:</b> Always use blanking panels to fill all remaining empty front panel U-spaces in the rack. This arrangement ensures proper airflow. Using a rack without blanking panels results in improper cooling that can lead to thermal damage. <b>NOTE:</b> For additional information, refer to the Setup and Installation Guide or the Documentation CD provided with the server, or to the server documentation located in the Support section at the following URL: <a href="http://h18000.www1.hp.com/products/servers/proliantdl380/index.html">http://h18000.www1.hp.com/products/servers/proliantdl380/index.html</a> .

### Standard Features

**Rack Kit** The HP ProLiant DL380 quick deploy rail system provides tool-free support for racks with square or round mounting holes (including Compaq/HP 7000\*, 9000, 10000 and HP series), with an adjustment range of 24" - 36". The ambidextrous cable management arm can be mounted on either the left or right side for improved cable management.

**NOTE:** Cable management arm must be removed to access hot-plug power supplies when the cable management arm is mounted on the right.

**\*NOTE:** High Airflow Inserts (High Air Flow Rack Door Insert for the 7142 Rack (single) – PN: 327281-B21; or High Air Flow Rack Door Insert for the 7142 Rack (6-pack) – PN: 327281-B22) are required to support the HP ProLiant DL380 G4 in 7000 series racks. The DL380 G4 Cable Management Arm is not supported on 7000 series racks.

---

**Telco Rack Support** DL380 G4 Telco Rack Kit:  
Support for all 2-post Telco racks requires the use of the standard rack kit and an additional option kit from Rack Solutions (<http://www.racksolutions.com/hp/>)

---

**Factory Express Portfolio for Servers and Storage** HP Factory Express offers configuration, customization, integration and deployment services for HP servers and storage products. Customers can choose how their factory solutions are built, tested, integrated, shipped and deployed.

Factory Express offers service packages for simple configuration, racking, installation, complex configuration and design services as well as individual factory services, such as image loading, asset tagging, and custom packaging. HP products supported through Factory Express include a wide array of servers and storage: HP Integrity, HP ProLiant, HP ProLiant Server Blades, HP BladeSystem, HP 9000 servers as well as the MSA1000, VA7xxx, EVA, XP, rackable tape libraries and configurable network switches.

For more information on Factory Express services for your specific server model please contact your sales representative or go to <http://www.hp.com/go/factory-express>.

---

**Custom Builder** Please see the Enterprise Configurator for configuration assistance at:  
<http://www.hp.com/products/configurator>.

---

**HP ProLiant Smart Buys (NA only)** The HP Smart Buy program offers mainstream business solutions at competitive prices with excellent availability and superior HP quality. It offers a wide range of industry-leading HP products at compelling prices, allowing you to receive richer configurations with additional options.

**NOTE:** ProLiant Smart Buys are available in NA only. For detailed specification information on ProLiant Smart Buys please click on the following link: <ftp://ftp.compaq.com/pub/products/servers/smartbuys.pdf>

---

### Standard Features

#### Service and Support

This product is covered by a global limited warranty and supported by HP Services and a worldwide network of resellers and service providers. Hardware diagnostic support and repair is available for three years from date of purchase. Support for software and initial setup is available for 90 days from date of purchase. Additional support may be covered under the warranty or available for an additional fee. Enhancements to warranty services are available through HP Care Pack services or customized service agreements..

**NOTE:** Limited warranty includes 3 year parts, 3 year labor, 3-year next business day on-site support.

**NOTE:** SATA drives have a 1 year warranty.

From Web-based support...to remote diagnostic tools that help decrease downtime...to dedicated onsite service, HP and its service partners provide "as-you-need-it" access to ProLiant-specific knowledge and skills no other vendor can match.

Care Pack services provide a range of life cycle support options that let you choose the service levels that meet your business requirements, from basic to mission-critical.

A full range of HP Care Pack hardware and software services are available including:

- Installation and Start up services helps you get your ProLiant servers deployed rapidly
- Education courses provide industry leading training for IT professionals
- Support services for fast, efficient resolution of hardware and software issues
- Extending onsite hardware warranty coverage from next business day to same business day 13 hours, 5 day or 24 hours, 7 days call window with options including 4-hour response or 6-hour Call To Repair
- Comprehensive range of software technical support for Microsoft, Linux, ProLiant Essentials and VMWare-based IT solutions helping to deliver high level of application availability. Response times range from 30 mins for critical problems to 2 hours.
- System Management, Performance Services and Mission Critical Support Solution

HP Care Pack services include coverage for the HP branded hardware options qualified for the server, purchased at the same time or afterward, internal to the enclosure, as well as 22" and smaller external monitors and tower UPS options up to 3kVA; these items will be covered at the same service level and for the same coverage period as the server. Coverage of UPS Battery is not included, standard warranty terms & conditions apply. For servers or storage systems installed within a rack, service also covers all HP qualified rack options installed within the same rack.

**NOTE:** For more information on HP Care Pack services, contact any of our worldwide sales offices or resellers or visit our worldwide Web site on the internet at: <http://www.hp.com/hps/carepack>

**NOTE:** For more information on Software Support offers contact any of our worldwide sales offices or resellers or visit our worldwide Web site on the internet at: <http://www.hp.com/hps/software>

**NOTE:** For more information on HP ProLiant Essentials support offers contact any of our worldwide sales offices or resellers or visit our worldwide Web site on the internet at:

[http://www.hp.com/hps/servers/sr\\_proliant\\_essentials.html](http://www.hp.com/hps/servers/sr_proliant_essentials.html)

**NOTE:** For more information on HP training offers contact any of our worldwide sales offices or resellers or visit our worldwide Web site on the internet at: <http://www.hp.com/education/>

**NOTE:** For more complete information on HP Services offerings, customers and resellers, please visit us at: <http://www.hp.com/hps>

**NOTE:** Additional information regarding worldwide limited warranty and technical support is available at: <http://h18004.www1.hp.com/products/servers/platforms/warranty/index.html>

### Models

**NOTE:** ProLiant Smart Buys are available in NA only. For detailed specification information on ProLiant Smart Buys please click on the following link: <ftp://ftp.compaq.com/pub/products/servers/smartbuys.pdf>.

### SAS Models

<b>DL380R04 X2.8-2MB/800, 1GB Dual-Core</b> 407549-xx1	<b>Processor(s)</b>	(1) Dual-Core Intel Xeon Processor 2.8 GHz (up to 2 supported)
	<b>Cache Memory</b>	2MB level 2 cache per core
	<b>Memory</b>	1 GB (2 x 512 MB) of 2-way interleaved PC2-3200R 400MHz DDR2 with Advanced ECC and online spare memory capabilities
	<b>Network Controller</b>	Embedded NC7782 Dual Port PCI-X 10/100/1000T Gigabit network adapter
	<b>Storage Controller</b>	SAS Smart Array P600 Controller with 256MB battery-backed write cache (installed in PCI-X slot)
	<b>Hard Drive</b>	None ship standard
	<b>Internal Storage</b>	576 GB max - 8 x 72 GB SAS drives (with optional hard drives)
	<b>Optical Drive</b>	24x IDE CD-ROM (Universal Media Bay)
	<b>Diskette Drive</b>	Optional
	<b>Form Factor</b>	Rack (2U), (3.5-inch)
<b>Availability</b>	Hot Plug Fully Redundant Fans Standard	

<b>DL380R04 X3.0-2MB/800, 1GB SAS</b> 382483-xx1	<b>Processor(s)</b>	(1) Intel Xeon Processor 3.0 GHz (up to 2 supported)
	<b>Cache Memory</b>	2MB level 2 cache per processor
	<b>Memory</b>	1 GB (2 x 512 MB) of 2-way interleaved PC2-3200R 400MHz DDR2 with Advanced ECC and online spare memory capabilities
	<b>Network Controller</b>	Embedded NC7782 Dual Port PCI-X 10/100/1000T Gigabit network adapter
	<b>Storage Controller</b>	SAS Smart Array P600 Controller with 256MB battery-backed write cache (installed in PCI-X slot)
	<b>Hard Drive</b>	None ship standard
	<b>Internal Storage</b>	576 GB max - 8 x 72 GB SAS drives (with optional hard drives)
	<b>Optical Drive</b>	24x IDE CD-ROM (Universal Media Bay)
	<b>Diskette Drive</b>	Optional
	<b>Form Factor</b>	Rack (2U), (3.5-inch)
<b>Availability</b>	Hot Plug Fully Redundant Fans Standard	

### Models

<b>DL380R04 X3.4-2MB/800, 1GB SAS</b> 382484-xx1	<b>Processor(s)</b>	(1) Intel Xeon Processor 3.4 GHz (up to 2 supported)
	<b>Cache Memory</b>	2MB level 2 cache per processor
	<b>Memory</b>	1 GB (2 x 512 MB) of 2-way interleaved PC2-3200R 400MHz DDR2 with Advanced ECC and online spare memory capabilities
	<b>Network Controller</b>	Embedded NC7782 Dual Port PCI-X 10/100/1000T Gigabit network adapter
	<b>Storage Controller</b>	SAS Smart Array P600 Controller with 256MB battery-backed write cache (installed in PCI-X slot)
	<b>Hard Drive</b>	None ship standard
	<b>Internal Storage</b>	576 GB max - 8 x 72 GB SAS drives (with optional hard drives)
	<b>Optical Drive</b>	24x IDE CD-ROM (Universal Media Bay)
	<b>Diskette Drive</b>	Optional
	<b>Form Factor</b>	Rack (2U), (3.5-inch)
	<b>Availability</b>	Hot Plug Fully Redundant Fans Standard
<hr/>		
<b>DL380R04 X3.6-2MB/800, 2GB SAS High Performance</b> 382485-xx1	<b>Processor(s)</b>	(2) Intel Xeon Processor 3.6 GHz
	<b>Cache Memory</b>	2MB level 2 cache per processor
	<b>Memory</b>	2 GB (2 x 1024 MB) of 2-way interleaved PC2-3200R 400MHz DDR2 with Advanced ECC and online spare memory capabilities
	<b>Network Controller</b>	Embedded NC7782 Dual Port PCI-X 10/100/1000T Gigabit network adapter
	<b>Storage Controller</b>	SAS Smart Array P600 Controller with 256MB battery-backed write cache (installed in PCI-X slot)
	<b>Hard Drive</b>	None ship standard
	<b>Internal Storage</b>	576 GB max - 8 x 72 GB SAS drives (with optional hard drives)
	<b>Optical Drive</b>	DVD-ROM Drive
	<b>Diskette Drive</b>	1.44 MB Diskette Drive
	<b>Form Factor</b>	Rack (2U), (3.5-inch)
	<b>Availability</b>	Hot Plug Fully Redundant Fans Standards Hot Plug Redundant Power Supplies Standard

### Models

<b>DL380R04 X3.8-2MB/800, 1GB SAS</b> 397628-xx1	<b>Processor(s)</b>	(1) Intel Xeon Processor 3.8 GHz (up to 2 supported)
	<b>Cache Memory</b>	2MB level 2 cache per processor
	<b>Memory</b>	1 GB (2 x 512 MB) of 2-way interleaved PC2-3200R 400MHz DDR2 with Advanced ECC and online spare memory capabilities
	<b>Network Controller</b>	Embedded NC7782 Dual Port PCI-X 10/100/1000T Gigabit network adapter
	<b>Storage Controller</b>	SAS Smart Array P600 Controller with 256MB battery-backed write cache (installed in PCI-X slot)
	<b>Hard Drive</b>	None ship standard
	<b>Internal Storage</b>	576 GB max - 8 x 72 GB SAS drives (with optional hard drives)
	<b>Optical Drive</b>	24x IDE CD-ROM (Universal Media Bay)
	<b>Diskette Drive</b>	Optional
	<b>Form Factor</b>	Rack (2U), (3.5-inch)
	<b>Availability</b>	Hot Plug Fully Redundant Fans Standard

---

### U320 SCSI Models (Processors with 2MB Level 2 cache)

<b>DL380R04 X3.8-2MB/800, 1GB</b> 378741-xx1	<b>Processor(s)</b>	(1) Intel Xeon Processor 3.8 GHz (up to 2 supported)
	<b>Cache Memory</b>	2MB level 2 cache per processor
	<b>Memory</b>	1 GB (2 x 512 MB) of 2-way interleaved PC2-3200R 400MHz DDR2 with Advanced ECC and online spare memory capabilities
	<b>Network Controller</b>	Embedded NC7782 Dual Port PCI-X 10/100/1000T Gigabit network adapter
	<b>Storage Controller</b>	Ultra320 Smart Array 6i Controller (integrated on system board)
	<b>Hard Drive</b>	None ship standard
	<b>Internal Storage</b>	1.8 TB max (with optional hard drives)
	<b>Optical Drive</b>	24x IDE CD-ROM (Universal Media Bay)
	<b>Diskette Drive</b>	Optional
	<b>Form Factor</b>	Rack (2U), (3.5-inch)
	<b>Availability</b>	Hot Plug Fully Redundant Fans Standard

---

### Models

**DL380R04 X3.6-  
2MB/800, 1GB  
378739-xx1**

<b>Processor(s)</b>	(1) Intel Xeon Processor 3.6 GHz (up to 2 supported)
<b>Cache Memory</b>	2MB level 2 cache per processor
<b>Memory</b>	1 GB (2 x 512 MB) of 2-way interleaved PC2-3200R 400MHz DDR2 with Advanced ECC and online spare memory capabilities
<b>Network Controller</b>	Embedded NC7782 Dual Port PCI-X 10/100/1000T Gigabit network adapter
<b>Storage Controller</b>	Ultra320 Smart Array 6i Controller (integrated on system board)
<b>Hard Drive</b>	None ship standard
<b>Internal Storage</b>	1.8 TB max (with optional hard drives)
<b>Optical Drive</b>	24x IDE CD-ROM (Universal Media Bay)
<b>Diskette Drive</b>	Optional
<b>Form Factor</b>	Rack (2U), (3.5-inch)
<b>Availability</b>	Hot Plug Fully Redundant Fans Standard

**DL380R04 X3.4-  
2MB/800, 1GB  
378737-xx1**

<b>Processor(s)</b>	(1) Intel Xeon Processor 3.4 GHz (up to 2 supported)
<b>Cache Memory</b>	2MB level 2 cache per processor
<b>Memory</b>	1 GB (2 x 512 MB) of 2-way interleaved PC2-3200R 400MHz DDR2 with Advanced ECC and online spare memory capabilities
<b>Network Controller</b>	Embedded NC7782 Dual Port PCI-X 10/100/1000T Gigabit network adapter
<b>Storage Controller</b>	Ultra320 Smart Array 6i Controller (integrated on system board)
<b>Hard Drive</b>	None ship standard
<b>Internal Storage</b>	1.8 TB max (with optional hard drives)
<b>Optical Drive</b>	24x IDE CD-ROM (Universal Media Bay)
<b>Diskette Drive</b>	Optional
<b>Form Factor</b>	Rack (2U), (3.5-inch)
<b>Availability</b>	Hot Plug Fully Redundant Fans Standard

**DL380R04 X3.2-  
2MB/800, 1GB  
378736-xx1**

<b>Processor(s)</b>	(1) Intel Xeon Processor 3.2 GHz (up to 2 supported)
<b>Cache Memory</b>	2MB level 2 cache per processor
<b>Memory</b>	1 GB (2 x 512 MB) of 2-way interleaved PC2-3200R 400MHz DDR2 with Advanced ECC and online spare memory capabilities
<b>Network Controller</b>	Embedded NC7782 Dual Port PCI-X 10/100/1000T Gigabit network adapter
<b>Storage Controller</b>	Ultra320 Smart Array 6i Controller (integrated on system board)
<b>Hard Drive</b>	None ship standard
<b>Internal Storage</b>	1.8 TB max (with optional hard drives)
<b>Optical Drive</b>	24x IDE CD-ROM (Universal Media Bay)
<b>Diskette Drive</b>	Optional
<b>Form Factor</b>	Rack (2U), (3.5-inch)
<b>Availability</b>	Hot Plug Fully Redundant Fans Standard

### Models

<b>DL380R04 X3.0-2MB/800, 1GB</b> 378735-xx1	<b>Processor(s)</b>	(1) Intel Xeon Processor 3.0 GHz (up to 2 supported)
	<b>Cache Memory</b>	2MB level 2 cache per processor
	<b>Memory</b>	1 GB (2 x 512 MB) of 2-way interleaved PC2-3200R 400MHz DDR2 with Advanced ECC and online spare memory capabilities
	<b>Network Controller</b>	Embedded NC7782 Dual Port PCI-X 10/100/1000T Gigabit network adapter
	<b>Storage Controller</b>	Ultra320 Smart Array 6i Controller (integrated on system board)
	<b>Hard Drive</b>	None ship standard
	<b>Internal Storage</b>	1.8 TB max (with optional hard drives)
	<b>Optical Drive</b>	24x IDE CD-ROM (Universal Media Bay)
	<b>Diskette Drive</b>	Optional
	<b>Form Factor</b>	Rack (2U), (3.5-inch)
<b>Availability</b>	Hot Plug Fully Redundant Fans Standard	
<hr/>		
<b>DL380R04 X2.8-2MB/800, 1GB Dual-Core</b> 397629-xx1	<b>Processor(s)</b>	(1) Dual-Core Intel Xeon Processor 2.8 GHz (up to 2 supported)
	<b>Cache Memory</b>	2MB level 2 cache per core
	<b>Memory</b>	1 GB (2 x 512 MB) of 2-way interleaved PC2-3200R 400MHz DDR2 with Advanced ECC and online spare memory capabilities
	<b>Network Controller</b>	Embedded NC7782 Dual Port PCI-X 10/100/1000T Gigabit network adapter
	<b>Storage Controller</b>	Ultra320 Smart Array 6i Controller (integrated on system board)
	<b>Hard Drive</b>	None ship standard
	<b>Internal Storage</b>	1.8 TB max (with optional hard drives)
	<b>Optical Drive</b>	24x IDE CD-ROM (Universal Media Bay)
	<b>Diskette Drive</b>	Optional
	<b>Form Factor</b>	Rack (2U), (3.5-inch)
<b>Availability</b>	Hot Plug Fully Redundant Fans Standard	
<hr/>		
<b>DL380R04 X3.8-2MB/800, 2GB High Performance</b> 378742-xx1	<b>Processor(s)</b>	(2) Intel Xeon Processor 3.8 GHz
	<b>Cache Memory</b>	2MB level 2 cache per processor
	<b>Memory</b>	2 GB (2 x 1024 MB) of 2-way interleaved PC2-3200R 400MHz DDR2 with Advanced ECC and online spare memory capabilities
	<b>Network Controller</b>	Embedded NC7782 Dual Port PCI-X 10/100/1000T Gigabit network adapter
	<b>Storage Controller</b>	Ultra320 Smart Array 6i Controller (integrated on system board) with 128MB Battery Backed Write Cache (BBWC) and Duplex backplane standard (SCSI configuration kit)
	<b>Hard Drive</b>	None ship standard
	<b>Optical Drive</b>	DVD-ROM Drive
	<b>Diskette Drive</b>	1.44 MB Diskette Drive
	<b>Form Factor</b>	Rack (2U), (3.5-inch)
	<b>Availability</b>	Hot Plug Fully Redundant Fans Standards Hot Plug Redundant Power Supplies Standard

### Models

**DL380R04 X3.6-  
2MB/800, 2GB High  
Performance  
378740-xx1**

<b>Processor(s)</b>	(2) Intel Xeon Processor 3.6 GHz
<b>Cache Memory</b>	2MB level 2 cache per processor
<b>Memory</b>	2 GB (2 x 1024 MB) of 2-way interleaved PC2-3200R 400MHz DDR2 with Advanced ECC and online spare memory capabilities
<b>Network Controller</b>	Embedded NC7782 Dual Port PCI-X 10/100/1000T Gigabit network adapter
<b>Storage Controller</b>	Ultra320 Smart Array 6i Controller (integrated on system board) with 128MB Battery Backed Write Cache (BBWC) and Duplex backplane standard (SCSI configuration kit)
<b>Hard Drive</b>	None ship standard
<b>Optical Drive</b>	DVD-ROM Drive
<b>Diskette Drive</b>	1.44 MB Diskette Drive
<b>Form Factor</b>	Rack (2U), (3.5-inch)
<b>Availability</b>	Hot Plug Fully Redundant Fans Standards Hot Plug Redundant Power Supplies Standard

**DL380R04 X3.4-  
2MB/800, 2GB High  
Performance  
378738-xx1**

<b>Processor(s)</b>	(2) Intel Xeon Processor 3.4 GHz
<b>Cache Memory</b>	2MB level 2 cache per processor
<b>Memory</b>	2 GB (2 x 1024 MB) of 2-way interleaved PC2-3200R 400MHz DDR2 with Advanced ECC and online spare memory capabilities
<b>Network Controller</b>	Embedded NC7782 Dual Port PCI-X 10/100/1000T Gigabit network adapter
<b>Storage Controller</b>	Ultra320 Smart Array 6i Controller (integrated on system board) with 128MB Battery Backed Write Cache (BBWC) and Duplex backplane standard (SCSI configuration kit)
<b>Hard Drive</b>	None ship standard
<b>Optical Drive</b>	DVD-ROM Drive
<b>Diskette Drive</b>	1.44 MB Diskette Drive
<b>Form Factor</b>	Rack (2U), (3.5-inch)
<b>Availability</b>	Hot Plug Fully Redundant Fans Standards Hot Plug Redundant Power Supplies Standard

### Models

<b>DL380R04 X2.8-2MB/800, 2GB Dual-Core High Performance 397630-xx1</b>	<b>Processor(s)</b>	(2) Intel Dual-Core Xeon Processor 2.8 GHz
	<b>Cache Memory</b>	2MB level 2 cache per core
	<b>Memory</b>	2 GB (2 x 1024 MB) of 2-way interleaved PC2-3200R 400MHz DDR2 with Advanced ECC and online spare memory capabilities
	<b>Network Controller</b>	Embedded NC7782 Dual Port PCI-X 10/100/1000T Gigabit network adapter
	<b>Storage Controller</b>	Ultra320 Smart Array 6i Controller (integrated on system board) with 128MB Battery Backed Write Cache (BBWC) and Duplex backplane standard (SCSI configuration kit)
	<b>Hard Drive</b>	None ship standard
	<b>Optical Drive</b>	DVD-ROM Drive
	<b>Diskette Drive</b>	1.44 MB Diskette Drive
	<b>Form Factor</b>	Rack (2U), (3.5-inch)
	<b>Availability</b>	Hot Plug Fully Redundant Fans Standards Hot Plug Redundant Power Supplies Standard

### U320 SCSI Models (Processors with 1MB Level 2 cache)

<b>DL380R04 X3.2-1MB/800, 1GB 370596-xx1</b>	<b>Processor(s)</b>	(1) Intel Xeon Processor 3.2 GHz (up to 2 supported)
	<b>Cache Memory</b>	1MB level 2 cache
	<b>Memory</b>	1 GB (2 x 512 MB) of 2-way interleaved PC2-3200R 400MHz DDR2 with Advanced ECC and online spare memory capabilities
	<b>Network Controller</b>	Embedded NC7782 Dual Port PCI-X 10/100/1000T Gigabit network adapter
	<b>Storage Controller</b>	Ultra320 Smart Array 6i Controller (integrated on system board)
	<b>Hard Drive</b>	None ship standard
	<b>Internal Storage</b>	1.8 TB max (with optional hard drives)
	<b>Optical Drive</b>	24x IDE CD-ROM (Universal Media Bay)
	<b>Diskette Drive</b>	Optional
	<b>Form Factor</b>	Rack (2U), (3.5-inch)

### Models

<b>DL380R04 X3.4-1MB/800, 1GB</b> 311143-xx1	<b>Processor(s)</b>	(1) Intel Xeon Processor 3.4 GHz (up to 2 supported)
	<b>Cache Memory</b>	1MB level 2 cache
	<b>Memory</b>	1 GB (2 x 512 MB) of 2-way interleaved PC2-3200R 400MHz DDR2 with Advanced ECC and online spare memory capabilities
	<b>Network Controller</b>	Embedded NC7782 Dual Port PCI-X 10/100/1000T Gigabit network adapter
	<b>Storage Controller</b>	Ultra320 Smart Array 6i Controller (integrated on system board)
	<b>Hard Drive</b>	None ship standard
	<b>Internal Storage</b>	1.8 TB max (with optional hard drives)
	<b>Optical Drive</b>	24x IDE CD-ROM (Universal Media Bay)
	<b>Diskette Drive</b>	Optional
	<b>Form Factor</b>	Rack (2U), (3.5-inch)
<b>DL380R04 X3.4-1MB/800, 2GB High Performance</b> 373822-xx1	<b>Processor(s)</b>	(2) Intel Xeon Processor 3.4 GHz
	<b>Cache Memory</b>	1-MB level 2 cache
	<b>Memory</b>	2 GB (2 x 1024 MB) of 2-way interleaved PC2-3200R 400MHz DDR2 with Advanced ECC and online spare memory capabilities
	<b>Network Controller</b>	Embedded NC7782 Dual Port PCI-X 10/100/1000T Gigabit network adapter
	<b>Storage Controller</b>	Ultra320 Smart Array 6i Controller (integrated on system board) with 128MB Battery Backed Write Cache (BBWC) and Duplex backplane standard (SCSI configuration kit)
	<b>Hard Drive</b>	None ship standard
	<b>Availability</b>	Hot Plug Fully Redundant Fans Standards Hot Plug Redundant Power Supplies Standard
	<b>Internal Storage</b>	1.8 TB max (with optional hard drives)
	<b>Optical Drive</b>	DVD-ROM Drive
	<b>Diskette Drive</b>	1.44MB Diskette Drive
<b>Form Factor</b>	Rack (2U), (3.5-inch)	
<b>DL380R04 X3.6-1MB/800, 1GB</b> 311144-xx1	<b>Processor(s)</b>	(1) Intel Xeon Processor 3.6 GHz (up to 2 supported)
	<b>Cache Memory</b>	1MB level 2 cache
	<b>Memory</b>	1 GB (2 x 512 MB) of 2-way interleaved PC2-3200R 400MHz DDR2 with Advanced ECC and online spare memory capabilities
	<b>Network Controller</b>	Embedded NC7782 Dual Port PCI-X 10/100/1000T Gigabit network adapter
	<b>Storage Controller</b>	Ultra320 Smart Array 6i Controller (integrated on system board)
	<b>Hard Drive</b>	None ship standard
	<b>Internal Storage</b>	1.8 TB max (with optional hard drives)
	<b>Optical Drive</b>	24x IDE CD-ROM (Universal Media Bay)
	<b>Diskette Drive</b>	Optional
	<b>Form Factor</b>	Rack (2U), (3.5-inch)

### Models

DL380R04 X3.6-  
1MB/800, 2GB High  
Performance  
361011-xx1

<b>Processor(s)</b>	(2) Intel Xeon Processor 3.6 GHz
<b>Cache Memory</b>	1-MB level 2 cache
<b>Memory</b>	2 GB of 2-way interleaved PC2-3200R 400MHz DDR2 with Advanced ECC and online spare memory capabilities
<b>Network Controller</b>	Embedded NC7782 Dual Port PCI-X 10/100/1000T Gigabit network adapter
<b>Storage Controller</b>	Ultra320 Smart Array 6i Controller (integrated on system board) with 128MB Battery Backed Write Cache (BBWC) and Duplex backplane standard (SCSI configuration kit)
<b>Hard Drive</b>	None ship standard
<b>Availability</b>	Hot Plug Fully Redundant Fans Standards Hot Plug Redundant Power Supplies Standard
<b>Internal Storage</b>	1.8 TB max (with optional hard drives)
<b>Optical Drive</b>	DVD-ROM Drive
<b>Diskette Drive</b>	1.44MB Diskette Drive
<b>Form Factor</b>	Rack (2U), (3.5-inch)

---

<b>Country Code Key</b>	XX=00	U.S.
	XX=20	Brazil
	XX=29	Japan
	XX=37	APD
	XX=42	Euro
	XX=AA	PRC

### Configuration Information - Factory Integrated Models (North America only)

**NOTE:** For Configure to Order requirements within EMEA region, please consult local Sales Contact.

**NOTE:** HP does not allow factory integration of options into standard models listed above.

Configure-to-order servers must start with a CTO Chassis.

**NOTE:** This product offering does not support HP Factory Express Server Configuration Level 1.

### Step 1: Base Configuration

Models	<p>HP ProLiant DL380G4 U320 SCSI Rack Chassis (North America) <span style="float: right;">371293-405</span></p> <p><b>Factory Integrated Model ships with:</b></p> <ul style="list-style-type: none"> <li>(6) 3.5" U320 SCSI Drive Bays</li> <li>Ultra320 Smart Array 6i Controller (integrated on system board)</li> <li>Embedded NC7782 Dual Port PCI-X 10/100/1000T Gigabit network adapter</li> <li>Three available 64-bit PCI-X slots, including two non-hot plug 100MHz slots and one non-hot plug 133MHz slot</li> <li>575 Watt hot plug power supply, CE Mark Compliant</li> <li>One Lowline NEMA power cord and One Highline IEC Power cord</li> <li>5 hot plug fans</li> <li>Rack (2U), (3.5-inch)</li> </ul>
	<p>HP ProLiant DL380G4 SAS Model Rack Chassis (North America) <span style="float: right;">383891-405</span></p> <p><b>Factory Integrated Model ships with:</b></p> <ul style="list-style-type: none"> <li>(8) 2.5" Serial Attached SCSI (SAS) Drive Bays</li> <li>Embedded NC7782 Dual Port PCI-X 10/100/1000T Gigabit network adapter</li> <li>Three 64-bit PCI-X slots (2 available after SAS starter kit installed), including two non-hot plug 100MHz slots and one non-hot plug 133MHz slot</li> <li>575 Watt hot plug power supply, CE Mark Compliant</li> <li>One Lowline NEMA power cord and One Highline IEC Power cord</li> <li>8 hot plug fans</li> <li>Rack (2U), (3.5-inch)</li> </ul>

### Step 1A: If SAS Model, Choose SAS Starter Kit or Controller (only one of the following)

SAS Controller	<p>HP Smart Array P600 Controller <span style="float: right;">337972-B21</span></p> <p><b>NOTE:</b> This is a required selection if one of the two following SAS Starter Kits is not selected. If choosing this sku, 2.5" SAS hard drives must still be selected under Step 4.</p>
SAS Starter Kit	<p>SAS Starter Kit - 36 GB <span style="float: right;">396221-B21</span></p> <p><b>NOTE:</b> Includes Smart Array P600 Performance Array Controller with 256MB BBWC and (2) 36 GB 2.5" SAS Universal Hard Drives.</p> <p>SAS Starter Kit - 72 GB <span style="float: right;">396220-B21</span></p> <p><b>NOTE:</b> Includes Smart Array P600 Performance Array Controller with 256MB BBWC and (2) 72 GB 2.5" SAS Universal Hard Drives.</p>

### Configuration Information - Factory Integrated Models (North America only)

#### Step 2: Choose Required Options (only one of the following from each list unless otherwise noted)

Processors	Intel X2.8-2MB/800MHz DL380 G4 FIO BASE	397645-L22
	<b>NOTE:</b> If 2 processors are desired, select one 397645-L22 and one 397645-B21	
	Intel X2.8-800-2x2M DL380 G4 FIO BASE - Dual-Core	399129-L22
	<b>NOTE:</b> Supported only on U320 SCSI models. If 2 processors are desired, select one 399129-L22 and one 399129-B21 unless High Performance Model features are sought. If HPM features are desired, select one 399129-L22 and one 399631-001.	
	Intel X3.8-2MB/800MHz DL380 G4 FIO BASE	378752-L22
	<b>NOTE:</b> If 2 processors are desired, select one 378752-L22 and one 378752-B21 unless High Performance Model features are sought. If HPM features are desired, select one 378752-L22 and one 382618-001.	
	Intel X3.0-2MB/800MHz LV DL380 G4 FIO BASE	397646-L22
	<b>NOTE:</b> If 2 processors are desired, select one 397646-L22 and one 397646-B21	
	Intel X3.2GHz/800-1MB 380G4 FIO BASE	374492-L21
	<b>NOTE:</b> If 2 processors are desired, select one 374492-L21 and one 374492-B21	
	Intel X3.4GHz/800-1MB 380G4 FIO BASE	311583-L22
	<b>NOTE:</b> If 2 processors are desired, select one 311583-L22 and one 311583-B21 unless High Performance Model features are sought. If HPM features are desired, select one 311583-L22 and one 380100-001.	
	Intel X3.6GHz/800-1MB 380G4 FIO BASE	311584-L22
<b>NOTE:</b> If 2 processors are desired, select one 311584-L22 and one 311584-B21 unless High Performance Model features are sought. If HPM features are desired, select one 311584-L22 and one 380101-001.		
Intel X3.0/800-1M 380 G4 FIO BASE	380040-L22	
<b>NOTE:</b> If 2 processors are desired, select one 380040-L22 and one 380040-B21		
Intel X3.0/800-2M 380 G4 FIO BASE	378748-L22	
<b>NOTE:</b> If 2 processors are desired, select one 378748-L22 and one 378748-B21		
Intel X3.2/800-2M 380 G4 FIO BASE	378749-L22	
<b>NOTE:</b> If 2 processors are desired, select one 378749-L22 and one 378749-B21		
Intel X3.4/800-2M 380 G4 FIO BASE	378750-L22	
<b>NOTE:</b> If 2 processors are desired, select one 378750-L22 and one 378750-B21 unless High Performance Model features are sought. If HPM features are desired, select one 378750-L22 and one 382616-001.		
Intel X3.6/800-2M 380 G4 FIO BASE	378751-L22	
<b>NOTE:</b> If 2 processors are desired, select one 378751-L22 and one 378751-B21 unless High Performance Model features are sought. If HPM features are desired, select one 378751-L22 and one 382617-001 or 391323-001 if SAS HPM model.		
Base Memory	1 GB of Advanced PC2 PC3200 DDR2 SDRAM DIMM Memory Kit (2 x 512 MB)	343055-B21
	2 GB of Advanced PC2 PC3200 DDR2 SDRAM DIMM Memory Kit (2 x 1024 MB)	343056-B21
	4 GB of Advanced PC2 PC3200 DDR2 SDRAM DIMM Memory Kit (2 x 2048 MB)	343057-B21

### Configuration Information - Factory Integrated Models (North America only)

#### Step 3: Choose Additional Factory Integratable Options

Optical Drive	Slimline DVD-ROM Drive (8x/24x) Option Kit	264007-B21
	Slimline CD-RW/DVD-ROM Combo Option Kit	331903-B21
	HP ProLiant Slim CD-ROM FIO Base	338732-B21
Performance Packs	The HP ProLiant DL380 G4 performance packs are necessary to configure a HP ProLiant DL380 G4 High Performance Model. HP ProLiant DL380 G4 High Performance model includes the latest performance technologies and enterprise class availability features pre-installed for convenience and value. The performance pack includes a 2nd processor, redundant fans and power supplies, floppy drive, 128MB (U320 SCSI models) or 256MB (SAS models) of BBWC and the duplex backplane option for U320 SCSI (SCSI configuration kit).	
	HP DL380G4 3.4 HPM Perf Pack FIO, US	380100-001
	HP DL380G4 3.6 HPM Perf Pack FIO, US	380101-001
	HP DL380G4 3.4/2M HPM Perf Pack FIO US	382616-001
	HP DL380G4 3.6/2M HPM Perf Pack FIO US	382617-001
	HP DL380G4 3.8/2M HPM Perf Pack FIO	382618-001
	HP DL380G4 3.6/2M SAS HPM Perf Pack FIO US	391323-001
	HP DL380G4 X2.8-800-2x2M HPM Perf Pack FIO US (Dual-Core)	399631-001

#### Step 4: Choose Additional Options for Factory Integration

**NOTE:** For additional options, please refer to the "Options" section below.

### Options

**NOTE:** Some options may not be factory integratable. Please contact your local sales representative for additional information.

HP ProLiant DL380 G4 Unique Options	DL380 G4 Redundant Fan Option Kit <b>NOTE:</b> Hot Plug Redundant Fan Option Kit (PN 293048-B21) contains three fans. This kit is included with all 2MB cache, SAS and high performance models.	293048-B21
	Hot Plug AC Redundant Power Supply Module (NEMA and IEC cords) (NA and Japan)	355892-001
	Hot Plug AC Redundant Power Supply Module (IEC cord only) (WW)	355892-B21
	Floppy Drive Option Kit <b>NOTE:</b> For U320 SCSI models only. <b>NOTE:</b> Included in high performance models.	364507-B21
	Floppy Drive Option Kit, SAS <b>NOTE:</b> For SAS models only.	393998-B21
	SCSI Configuration Kit <b>NOTE:</b> Kit Includes duplex drive backplane terminator and 2 long SCSI cables. Not supported on SAS models.	364471-B21
	PCI-X Hot Plug Riser Cage Option Kit	354676-B21
	PCI Express Riser Cage Option Kit <b>NOTE:</b> Not Supported on SAS models. For information about PCI Express visit: <a href="http://www.hp.com/servers/pci-express">http://www.hp.com/servers/pci-express</a> .	354675-B21

### ProLiant Essentials Value Pack Software

ProLiant Essentials Integrated Lights-Out Advanced Pack	ProLiant Essentials Integrated Lights-Out Advanced Pack, 1 server <b>Featuring:</b> sophisticated virtual administration features for ultimate control of servers in the data centers and remote sites. <b>NOTE:</b> For additional ProLiant Integrated Light-Out Advanced Pack License Kits please see the QuickSpecs at: <a href="http://h18000.www1.hp.com/products/quickspecs/11052_div/11052_div.HTML">http://h18000.www1.hp.com/products/quickspecs/11052_div/11052_div.HTML</a>	263825-B21
ProLiant Essentials Intelligent Networking Pack	ProLiant Essentials Intelligent Networking Pack - Windows Edition, Single Server License <b>NOTE:</b> For use with a single server. Contains one license with a unique license activation key and documentation. <b>NOTE:</b> For additional ProLiant Intelligent Networking Pack License Kits please see the QuickSpecs at: <a href="http://h18000.www1.hp.com/products/quickspecs/12062_div/12062_div.HTML">http://h18000.www1.hp.com/products/quickspecs/12062_div/12062_div.HTML</a>	372906-B21
ProLiant Essentials Intelligent Networking Pack	ProLiant Essentials Intelligent Networking Pack - Linux Edition, Single Server License <b>NOTE:</b> For additional ProLiant Intelligent Networking Pack License Kits please see the QuickSpecs at: <a href="http://h18000.www1.hp.com/products/quickspecs/12327_div/12327_div.HTML">http://h18000.www1.hp.com/products/quickspecs/12327_div/12327_div.HTML</a>	397004-B21
ProLiant Essentials Performance Management Pack	ProLiant Essentials Performance Management Pack, Single-Server License <b>NOTE:</b> For use with a single server. Contains one license with a unique license activation key, HP Management CD and documentation. <b>NOTE:</b> The most recent version of the software can always be downloaded at <a href="http://www.hp.com/products/pmp">http://www.hp.com/products/pmp</a> . <b>NOTE:</b> For additional ProLiant Performance Management Pack License Kits please see the QuickSpecs at: <a href="http://h18000.www1.hp.com/products/quickspecs/11925_div/11925_div.HTML">http://h18000.www1.hp.com/products/quickspecs/11925_div/11925_div.HTML</a>	306696-B21

### Options

#### ProLiant Essentials Rapid Deployment Pack Windows Edition and Linux Edition Release

Rapid Deployment Pack, Single-Server License 267196-B21

**NOTE:** This license allows 1 server to be deployed and managed via RDP.

Rapid Deployment Pack, Single-Server License (Japan) 267196-291

**NOTE:** This license allows 1 server to be deployed and managed via RDP.

**NOTE:** For additional ProLiant Essentials Rapid Deployment Pack License Kits please see the QuickSpecs at:

[http://h18000.www1.hp.com/products/quickspecs/11053\\_div/11053\\_div.HTML](http://h18000.www1.hp.com/products/quickspecs/11053_div/11053_div.HTML)

[http://h18000.www1.hp.com/products/quickspecs/11713\\_div/11713\\_div.HTML](http://h18000.www1.hp.com/products/quickspecs/11713_div/11713_div.HTML)

#### ProLiant Essentials Workload Management Pack

ProLiant Essentials Workload Management Pack, Single Server License 303284-B21

**NOTE:** For additional ProLiant Workload Management Pack License Kits please see the QuickSpecs at:

[http://h18000.www1.hp.com/products/quickspecs/11452\\_div/11452\\_div.HTML](http://h18000.www1.hp.com/products/quickspecs/11452_div/11452_div.HTML)

#### ProLiant Essentials Virtualization Management Software

ProLiant Essentials Virtual Machine Management Pack, Single-Server License 372214-B21

**NOTE:** For use with a single server. Contains one license with a unique license activation key and documentation.

ProLiant Essentials Server Migration Pack, Single-Migration License 375345-B21

**NOTE:** Contains one license, enabling 1 server migration, with a unique license activation key and documentation.

**NOTE:** This license allows 1 server to be migrated from a physical server to a virtual machine. Or this license can be used to migrate a virtual machine from one virtualization layer i.e. VMware GSX to a different virtualization layer such as VMware ESX or Microsoft Virtual Server 2005.

**NOTE:** For additional ProLiant Essentials Virtualization Management Software License Kits please see the QuickSpecs at:

[http://h18000.www1.hp.com/products/quickspecs/12328\\_div/12328\\_div.HTML](http://h18000.www1.hp.com/products/quickspecs/12328_div/12328_div.HTML)

#### ProLiant Essentials Vulnerability and Patch Management Pack

ProLiant Essentials Vulnerability and Patch Management Pack, Single-Server License 371645-B21

**NOTE:** For use with a single server. Contains one license with a unique license activation key and documentation.

**NOTE:** For additional ProLiant Vulnerability and Patch Management Pack License Kits, please see the QuickSpecs at:

[http://h18000.www1.hp.com/products/quickspecs/12111\\_div/12111\\_div.HTML](http://h18000.www1.hp.com/products/quickspecs/12111_div/12111_div.HTML)

**NOTE:** Flexible and volume quantity license kits are available for ProLiant Essentials Value Packs. Refer to <http://www.hp.com/servers/proliantessentials> or the various ProLiant Essentials Value Pack product QuickSpecs for more information.

**NOTE:** For more information regarding ProLiant Essentials Software, please see the following URL: <http://www.hp.com/servers/proliantessentials>.

### Options

ProLiant Software Maintenance Subscription	ProLiant Software Maintenance Subscription	355060-B21
	ProLiant Software Maintenance Single Release	356573-B21
	ProLiant Foundation Pack Single Release	356604-B21
<p><b>NOTE:</b> Please see the SmartStart QuickSpecs for additional information regarding the subscription purchase:</p> <p><a href="http://h18000.www1.hp.com/products/quickspecs/Division/11073.html">http://h18000.www1.hp.com/products/quickspecs/Division/11073.html</a> (Worldwide)</p> <p><a href="http://h18000.www1.hp.com/products/quickspecs/North_America/11073.html">http://h18000.www1.hp.com/products/quickspecs/North_America/11073.html</a> (North America)</p>		

Processor	Intel Xeon X3.2-1MB/800MHz Processor Option Kit	374492-B21
	Intel Xeon X3.4-1MB/800MHz Processor Option Kit	311583-B21
	Intel Xeon X3.6-1MB/800MHz Processor Option Kit	311584-B21
	Intel Xeon X2.8-2MB/800MHz Processor Option Kit	397645-B21
	Dual-Core Intel Xeon X2.8/800-2x2M Processor Option Kit	399129-B21
	<b>NOTE:</b> This kit is not backwards compatible, existing systems cannot be upgraded.	
	Intel Xeon X3.0-2MB/800MHz Processor Option Kit	378748-B21
	Intel Xeon X3.0-2MB/800MHz LV Processor Option Kit	397646-B21
	Intel Xeon X3.2-2MB/800MHz Processor Option Kit	378749-B21
	Intel Xeon X3.4-2MB/800MHz Processor Option Kit	378750-B21
	Intel Xeon X3.6-2MB/800MHz Processor Option Kit	378751-B21
Intel Xeon X3.8-2MB/800MHz Processor Option Kit	378752-B21	

Memory	1GB of Advanced PC2 PC3200 DDR2 SDRAM DIMM Memory Kit (2 x 512 MB)	343055-B21
	2GB of Advanced PC2 PC3200 DDR2 SDRAM DIMM Memory Kit (2 x 1024 MB)	343056-B21
	4GB of Single-Ranked PC2 PC3200 DDR2 SDRAM DIMM Memory Kit (2 x 2048 MB)	343057-B21
	4GB of 2-Rank Advanced ECC PC3200 DDR2-400 SDRAM DIMM Memory Kit (2 x 2048 MB)	375004-B21
	<b>NOTE:</b> There are configuration limitations associated with this kit, please see memory section for more information.	

### Options

Optical Drives	Slimline CD-RW/DVD-ROM Combo Option Kit	331903-B21
	Slimline DVD-ROM Drive (8x/24x) Option Kit	264007-B21
	<b>NOTE:</b> Included in high performance models.	
	HP DVD+R/RW 8X Slim	383975-B21
Diskette Drive	Floppy Drive Option Kit	364507-B21
	<b>NOTE:</b> For U320 SCSI models only.	
	<b>NOTE:</b> Included in high performance models.	
	Floppy Drive Option Kit, SAS	393998-B21
Hard Drives	<b>Ultra320 SCSI - Universal Hot Plug</b>	
	300-GB 10,000 rpm U320 Universal Hard Drive, 1"	350964-B22
	146.8-GB 10,000 rpm, U320 Universal Hard Drive, 1"	286716-B22
	72.8-GB 10,000 rpm, U320 Universal Hard Drive, 1"	286714-B22
	146.8-GB 15,000 rpm U320 Universal Hard Drive, 1"	347708-B22
	72.8-GB 15,000 rpm, U320 Universal Hard Drive, 1"	286778-B22
	36.4-GB 15,000 rpm, U320 Universal Hard Drive, 1"	286776-B22
	<b>NOTE:</b> All U320 Universal Hard Drives are backward compatible to U2 or U3 speeds.	
	<b>NOTE:</b> Please see the Hard Drive QuickSpecs for Technical Specifications such as capacity, height, width, interface, transfer rate, seek time, physical configuration, and operating temperature:	
	U320 Hard Drive QS:	
	<a href="http://h18000.www1.hp.com/products/quickspecs/11531_div/11531_div.HTML">http://h18000.www1.hp.com/products/quickspecs/11531_div/11531_div.HTML</a>	
	(Worldwide)	
	<a href="http://h18000.www1.hp.com/products/quickspecs/11531_na/11531_na.HTML">http://h18000.www1.hp.com/products/quickspecs/11531_na/11531_na.HTML</a>	
	(North America)	
<b>SFF SATA Hot Plug</b>		
60-GB SATA 1.5 Gb 5,400 rpm Hard Drive (2.5")	379306-B21	
<b>NOTE:</b> SATA drives have a 1 year warranty. Please see the SATA Hard Drive QuickSpecs for Technical Specifications such as capacity, height, width, interface, transfer rate, seek time, physical configuration, and operating temperature:		
SATA Hard Drive QS:		
<a href="http://h18000.www1.hp.com/products/quickspecs/12091_div/12091_div.HTML">http://h18000.www1.hp.com/products/quickspecs/12091_div/12091_div.HTML</a>		
(Worldwide)		
<a href="http://h18000.www1.hp.com/products/quickspecs/12091_na/12091_na.HTML">http://h18000.www1.hp.com/products/quickspecs/12091_na/12091_na.HTML</a>		
(North America)		
<b>SFF SAS - Universal Hot Plug</b>		
HP 36 GB SAS 10,000 rpm Hard Drive (2.5")	375859-B21	
HP 72 GB SAS 10,000 rpm Hard Drive (2.5")	375861-B21	

### Options

**NOTE:** All SAS Universal Hard Drives are supported ONLY by HP ProLiant DL380 G4 SAS models.

**NOTE:** Please see the SAS Hard Drive QuickSpecs for Technical Specifications such as capacity, height, width, interface, transfer rate, seek time, physical configuration, and operating temperature:

SAS Hard Drive QS:

[http://h18000.www1.hp.com/products/quickspecs/12244\\_div/12244\\_div.HTML](http://h18000.www1.hp.com/products/quickspecs/12244_div/12244_div.HTML)  
(Worldwide)

[http://h18000.www1.hp.com/products/quickspecs/12244\\_na/12244\\_na.HTML](http://h18000.www1.hp.com/products/quickspecs/12244_na/12244_na.HTML)  
(North America)

### Storage Controllers

**NOTE:** Please refer to the HP ProLiant DL380 G4 SCSI Cabling Matrix for information on what's required to cable optional array controllers:

<ftp://ftp.compaq.com/pub/products/servers/proliantdl380/dl380g4-cabling-matrix.pdf>

#### SCSI Controllers

Smart Array 6i 128MB Battery Backed Write Cache Enabler Option Kit 346914-B21

**NOTE:** Included in high performance models.

Smart Array 6402/128 Controller 273915-B21

Smart Array 6404/256 Controller 273914-B21

Smart Array 641 Controller 291966-B21

**NOTE:** Not supported on SAS model.

Smart Array 642 Controller 291967-B21

128MB Battery-Backed Cache Enabler 351580-B21

**NOTE:** This 128MB BBWC supports the Smart Array 641 Controller and Smart Array 642 Controller.

64-Bit/133-MHz Dual Channel Ultra320 SCSI Adapter 268351-B21

Ultra320 Expansion Module for SA-6402 273911-B21

64-Bit/133-MHz Single Channel Ultra320 SCSI HBA G2 374654-B21

**NOTE:** Please see the following Controller or SCSI Adapter QuickSpecs for Technical Specifications such as PCI Bus, PCI Peak Data Transfer Rate, SCSI Protocols supported, SCSI Peak Data Transfer Rate, Channels, SCSI Ports, Drives supported, Cache, RAID support, and additional information:

[http://h18000.www1.hp.com/products/quickspecs/12030\\_div/12030\\_div.HTML](http://h18000.www1.hp.com/products/quickspecs/12030_div/12030_div.HTML)  
(Smart Array 6i)

[http://h18000.www1.hp.com/products/quickspecs/11587\\_div/11587\\_div.HTML](http://h18000.www1.hp.com/products/quickspecs/11587_div/11587_div.HTML)  
(Smart Array 6400 Series)

[http://h18000.www1.hp.com/products/quickspecs/12067\\_div/12067\\_div.HTML](http://h18000.www1.hp.com/products/quickspecs/12067_div/12067_div.HTML)  
(Smart Array 641)

[http://h18000.www1.hp.com/products/quickspecs/12069\\_div/12069\\_div.HTML](http://h18000.www1.hp.com/products/quickspecs/12069_div/12069_div.HTML)  
(Smart Array 642)

[http://h18000.www1.hp.com/products/quickspecs/10429\\_div/10429\\_div.HTML](http://h18000.www1.hp.com/products/quickspecs/10429_div/10429_div.HTML)  
(SCSI Adapter)

[http://h18000.www1.hp.com/products/quickspecs/11555\\_div/11555\\_div.HTML](http://h18000.www1.hp.com/products/quickspecs/11555_div/11555_div.HTML)  
(U320 Adapter)

[http://h18000.www1.hp.com/products/quickspecs/11943\\_div/11943\\_div.HTML](http://h18000.www1.hp.com/products/quickspecs/11943_div/11943_div.HTML)  
(Single Channel U320 SCSI HBA)

#### SAS Controller

HP Smart Array P600 Controller 337972-B21

**NOTE:** Ships standard on SAS models.

### Options

512MB DDR BBWC Upgrade 372538-B21

**NOTE:** Please see the following Controller QuickSpecs for Technical Specifications such as PCI Bus, PCI Peak Data Transfer Rate, SCSI Protocols supported, SCSI Peak Data Transfer Rate, Channels, SCSI Ports, Drives supported, Cache, RAID support, and additional information:

[http://h18000.www1.hp.com/products/quickspecs/12247\\_div/12247\\_div.HTML](http://h18000.www1.hp.com/products/quickspecs/12247_div/12247_div.HTML)  
(Smart P600 Controller)

#### SAS HBA

HP 8 Internal Port SAS HBA with RAID 347786-B21

[http://h18000.www1.hp.com/products/quickspecs/12332\\_div/12332\\_div.HTML](http://h18000.www1.hp.com/products/quickspecs/12332_div/12332_div.HTML)  
(SAS HBA)

### Communications

HP NC150T PCI 4-port Gigabit 1000T Combo Switch Adapter 367132-B21

HP NC310F PCI-X 1000SX Gigabit Server Adapter 368169-B21

HP NC320T PCI Express 1000T Gigabit Server Adapter 367047-B21

HP NC370F PCI-X Multifunction 1000SX Gigabit Server Adapter 374193-B21

HP NC370F PCI-X Multifunction 1000SX Gigabit Server Adapter 374193-B22

HP NC370T PCI-X Multifunction 1000T Gigabit Server Adapter 374191-B21

HP NC370T PCI-X Multifunction 1000T Gigabit Server Adapter 374191-B22

HP NC1020 PCI 1000T Gigabit Server Adapter 353377-B21

HP NC7170 PCI-X Dual Port 1000T Gigabit Server Adapter 313881-B21

HP NC7771 PCI-X 1000T Gigabit Server Adapter 290563-B21

**NOTE:** A minimum of 1 GB of memory is required for NC370x adapters, with a maximum of two NC370x adapters permitted in a server.

**NOTE:** Any Ethernet network controller (NIC) (except the NC1020) on the option list can be used for redundancy with the embedded NC7782 NIC.

HP NC570C PCI-X Dual-port 4x Fabric Adapter 376158-B21

HP NC571C PCI Express Dual-port 4x Fabric Adapter 376160-B21

HP 24-Port 4x Fabric Copper Switch 376227-B21

HP 4x Fabric 1m Copper Cable 376232-B21

HP 4x Fabric 3m Copper Cable 376232-B22

HP 4x Fabric 5m Copper Cable 376232-B23

### Redundant Options

Hot Plug AC Redundant Power Supply Module (NEMA and IEC cord)  
(NA and Japan) 355892-001

Hot Plug AC Redundant Power Supply Module (IEC cord only) (WW) 355892-B21

DL380 G4 Redundant Fan Option Kit 293048-B21

**NOTE:** Hot Plug Redundant Fan Option Kit (PN 293048-B21) contains three fans per kit, it is included in all 2MB Cache, SAS and high performance models.

### Management Options

Remote Insight Lights-Out Edition II (NA, LA) 227251-001

Remote Insight Lights-Out Edition II (EMEA) 227251-021

Remote Insight Lights-Out Edition II (ROW) 227251-371

## Options

### Tape Drives

**NOTE:** For complete listing of tape drive offerings see <http://www.hp.com/products1/storage/compatibility/tapebackup/ISS/index.html>  
For recommended tape drive offerings for this ProLiant server see the following:

#### Hot Plug Tape Drives

HP StorageWorks DAT 72 SCSI Hot-plug Tape Drive (Carbon) Q1529A

#### USB Tape Drives

HP StorageWorks DAT 72 USB External Tape Drive (Carbonite) DW027A

#### External, Rack-Mount, and Array Module Ultrium Tape Drives

**NOTE:** The Ultrium 960, Ultrium 448 and Ultrium 232 tape drives must be connected to one of the supported U320 SCSI controllers listed in the Storage section of this document.

HP StorageWorks Ultrium 232 External Tape Drive (Carbonite) DW065B

HP StorageWorks Ultrium 460 External Tape Drive (Carbon) Q1520A

HP StorageWorks Ultrium 448 External Tape Drive (Carbonite) DW017B

HP StorageWorks 1U Rack-mount kit with one Ultrium 448 (Carbonite) DW028A

HP StorageWorks Ultrium 960 External Tape Drive (Carbonite) Q1539B

HP StorageWorks 3U Rack-mount kit with one Ultrium 960 (Carbonite) Q1595A

**NOTE:** Please see the [HP StorageWorks Ultrium Tape Drive QuickSpecs](#) for additional options such as controllers, media, and other related items:

[http://h18006.www1.hp.com/products/quickspecs/11739\\_div/11739\\_div.html](http://h18006.www1.hp.com/products/quickspecs/11739_div/11739_div.html)  
(Worldwide)

[http://h18006.www1.hp.com/products/quickspecs/11739\\_na/11739\\_na.html](http://h18006.www1.hp.com/products/quickspecs/11739_na/11739_na.html)  
(North America)

For an up-to-date listing of the latest O/S and software support details for HP Ultrium tape drives, please visit: <http://www.hp.com/go/connect>.

#### External, Rack-Mount, and Array Module DAT Drives

HP StorageWorks DAT 72 SCSI External Tape Drive (Carbon) Q1523B

HP StorageWorks 1U Rack-mount kit with one DAT 72 (Carbon) A7443A

**NOTE:** Please see the [DAT Tape Drive QuickSpecs](#) for controllers, media, and other options:

[http://h18000.www1.hp.com/products/quickspecs/11883\\_div/11883\\_div.HTML](http://h18000.www1.hp.com/products/quickspecs/11883_div/11883_div.HTML)  
(Worldwide)

[http://h18000.www1.hp.com/products/quickspecs/11883\\_na/11883\\_na.HTML](http://h18000.www1.hp.com/products/quickspecs/11883_na/11883_na.HTML)  
(North America)

[http://h18006.www1.hp.com/products/quickspecs/12128\\_div/12128\\_div.html](http://h18006.www1.hp.com/products/quickspecs/12128_div/12128_div.html)  
(Worldwide)

[http://h18006.www1.hp.com/products/quickspecs/12128\\_na/12128\\_na.html](http://h18006.www1.hp.com/products/quickspecs/12128_na/12128_na.html)  
(North America)

For an up-to-date listing of the latest O/S and software support details for HP DAT drives, please visit: <http://www.hp.com/go/connect>.

#### Rack-Mount Tape Drive Enclosures

HP StorageWorks 1U Rack-Mount Kit A7445B

**NOTE:** The 1U Rack-mount Kit can support up to 2 half-height tape drives and is compatible with multiple Single-Ended and LVD SCSI tape drives including DAT 24, DAT 40, DAT 72, DLT VS80, DLT VS160, Ultrium 215, Ultrium 232, and Ultrium 448 tape drives.

HP StorageWorks 1U USB Rack-Mount Kit A8007A

### Options

1U USB Cable Option Kit 396114-B21

**NOTE:** Converts a 1U SCSI rack-mount kit to a USB interface to support the USB tape drives.

HP StorageWorks 3U Rack-Mount Kit 274338-B23

**NOTE:** The 3U Rack-Mount Kit can support up to 2 full-height or 4 half-height tape drives and compatible with multiple Single-Ended and LVD SCSI tape drives including DAT 24, DAT 40, DAT 72, DLT VS80, DLT VS160, SDLT 320, SDLT 600, Ultrium 215, Ultrium 230, Ultrium 232, Ultrium 460, Ultrium 448 and Ultrium 960 tape drives.

**NOTE:** Please see the Rack-Mount Tape Drive Kits QuickSpecs for additional information regarding these kits:

[http://h18000.www1.hp.com/products/quickspecs/10854\\_div/10854\\_div.HTML](http://h18000.www1.hp.com/products/quickspecs/10854_div/10854_div.HTML)  
(Worldwide)

[http://h18000.www1.hp.com/products/quickspecs/10854\\_na/10854\\_na.HTML](http://h18000.www1.hp.com/products/quickspecs/10854_na/10854_na.HTML)  
(North America)

### Tape Autoloaders

#### DAT Autoloader

HP StorageWorks DAT 72x6 Autoloader (External) Q1567A

**NOTE:** Please see the DAT 72x6 Tape Autoloader QuickSpecs for additional options such as host bus adapters, controllers and media:

[http://h18006.www1.hp.com/products/quickspecs/11905\\_div/11905\\_div.html](http://h18006.www1.hp.com/products/quickspecs/11905_div/11905_div.html)  
(Worldwide)

[http://h18006.www1.hp.com/products/quickspecs/11905\\_na/11905\\_na.html](http://h18006.www1.hp.com/products/quickspecs/11905_na/11905_na.html)  
(North America)

#### HP StorageWorks 1/8 Tape Autoloader

HP StorageWorks 1/8 Ultrium 960 Tape Autoloader AF204A

HP StorageWorks 1/8 Ultrium 448 Tape Autoloader AF203A

HP StorageWorks 1/8 SDLT 320 Tape Autoloader AA926A

HP StorageWorks 1/8 Ultrium 232 Tape Autoloader AF202A

1/8 Tape Autoloader Rackmount Kit C9268R

**NOTE:** Required to install the unit in a standard 19-inch rack; includes rails and rackmount instructions

**NOTE:** Please reference the 1/8 Tape Autoloader QuickSpecs at <http://www.hp.com/go/automation> for additional information needed to create a complete solution; reference current compatibility information at

<http://www.hp.com/go/ebs>

#### HP StorageWorks SSL1016 Tape Autoloader

HP StorageWorks SSL1016 Ultrium 460 Tape Autoloader 330821-B21

**NOTE:** Please reference the SSL1016 Tape Autoloader QuickSpecs at

<http://www.hp.com/go/automation> for additional information needed to create a complete solution; reference current compatibility information at

<http://www.hp.com/go/ebs>.

### Options

Tape Libraries	<b>HP StorageWorks MSL2024 Tape Library</b>	
	HP StorageWorks MSL2024 1 Ultrium 960 Drive Library	AG115A
	HP StorageWorks MSL2024 1 Ultrium 448 Drive Library	AG116A
	HP StorageWorks MSL2024 2 Ultrium 448 Drive Library	AG117A
	<b>HP StorageWorks MSL6000 Tape Library</b>	
	<b>Ultrium 960 technology</b>	
	HP StorageWorks MSL6030 1 Ultrium 960 Dr LVDS Library	AD606A
	HP StorageWorks MSL6030 1 Ultrium 960 Dr FC Library	AD608A
	HP StorageWorks MSL6030 2 Ultrium 960 Dr LVDS Library	AD607A
	HP StorageWorks MSL6030 2 Ultrium 960 Dr FC Library	AD609A
	<b>Ultrium 460 technology</b>	
	HP StorageWorks MSL6030 1 Ultrium 460 Dr LVDS Library	AD598A
	HP StorageWorks MSL6030 1 Ultrium 460 Dr FC Library	AD600A
	HP StorageWorks MSL6030 2 Ultrium 460 Dr LVDS Library	AD599A
	HP StorageWorks MSL6030 2 Ultrium 460 Dr FC Library	AD601A
	<p><b>NOTE:</b> Please reference the MSL2024 and MSL6000 Tape Library QuickSpecs at <a href="http://www.hp.com/go/automation">http://www.hp.com/go/automation</a> for additional information needed to create a complete solution; reference current compatibility information at <a href="http://www.hp.com/go/ebs">http://www.hp.com/go/ebs</a>.</p>	
Magneto-Optical Jukeboxes	<b>HP StorageWorks 9.1 GB Optical Jukeboxes</b>	
	600mx, 4 drive, 64 slot jukebox	C1160M
	1200mx, 4 drive, up to 128 slots	C1104M
	2200mx, 6 drive, up to 238 slots	C1107M
	<p><b>NOTE:</b> Please see the HP StorageWorks Magneto-Optical Products data sheet for a complete listing of available jukeboxes at: <a href="http://www.hp.com/products1/storage/products/archivalprod/brochures/MO_family_pb.pdf">http://www.hp.com/products1/storage/products/archivalprod/brochures/MO_family_pb.pdf</a></p> <p><b>NOTE:</b> Please reference the Magneto-Optical Jukebox data sheets at <a href="http://www.hp.com/go/optical">http://www.hp.com/go/optical</a> for additional information needed to create a complete solution.</p>	
Ultra Density Optical Jukeboxes	1900ux, 4 drive, 64 slot jukebox	AA966A
	3800ux, 4 drive, 128 slot jukebox	AA969A
	7100ux, 6 drive, 238 slot jukebox	AA971A
	<p><b>NOTE:</b> Please see the HP StorageWorks Ultra Density Optical Jukeboxes QuickSpecs for a complete listing of available jukeboxes at: <a href="http://h18006.www1.hp.com/products/quickspecs/11944_div/11944_div.html">http://h18006.www1.hp.com/products/quickspecs/11944_div/11944_div.html</a></p> <p><b>NOTE:</b> Please reference the Ultra Density Optical Jukebox QuickSpecs at <a href="http://www.hp.com/go/optical">http://www.hp.com/go/optical</a> for additional information needed to create a complete solution</p>	
Cluster Options	ProLiant Cluster Starter Kit	364023-B21

### Options

**NOTE:** For additional information regarding the ProLiant Cluster Starter Kit please see the following QuickSpecs at:

[http://h18000.www1.hp.com/products/quickspecs/11935\\_na/11935\\_na.html](http://h18000.www1.hp.com/products/quickspecs/11935_na/11935_na.html)

(North America)

[http://h18000.www1.hp.com/products/quickspecs/11935\\_div/11935\\_div.html](http://h18000.www1.hp.com/products/quickspecs/11935_div/11935_div.html)

(Worldwide)

ProLiant Cluster Kit with OpenView Storage Mirroring 364025-B21

**NOTE:** For additional information regarding the ProLiant Cluster Kit with OpenView Storage Mirroring please see the following QuickSpecs at:

[http://h18000.www1.hp.com/products/quickspecs/11934\\_na/11934\\_na.html](http://h18000.www1.hp.com/products/quickspecs/11934_na/11934_na.html)

(North America)

[http://h18000.www1.hp.com/products/quickspecs/11934\\_div/11934\\_div.html](http://h18000.www1.hp.com/products/quickspecs/11934_div/11934_div.html)

(Worldwide)

ProLiant Cluster HA/F200 for the Entry Level SAN 364026-B22

ProLiant Cluster HA/F200 for the Entry Level SAN (Japan) 364026-292

**NOTE:** For additional information regarding the ProLiant Cluster for Entry Level SAN please see the following QuickSpecs at:

[http://h18000.www1.hp.com/products/quickspecs/11932\\_na/11932\\_na.html](http://h18000.www1.hp.com/products/quickspecs/11932_na/11932_na.html)

(North America)

[http://h18000.www1.hp.com/products/quickspecs/11932\\_div/11932\\_div.html](http://h18000.www1.hp.com/products/quickspecs/11932_div/11932_div.html)

(Worldwide)

ProLiant Cluster HA/F500 for the Enterprise SAN 364024-B21

**NOTE:** For additional information regarding the ProLiant Cluster HA/F500 for Enterprise SAN please see the following QuickSpecs at:

[http://h18000.www1.hp.com/products/quickspecs/11933\\_na/11933\\_na.html](http://h18000.www1.hp.com/products/quickspecs/11933_na/11933_na.html)

(North America)

[http://h18000.www1.hp.com/products/quickspecs/11933\\_div/11933\\_div.html](http://h18000.www1.hp.com/products/quickspecs/11933_div/11933_div.html)

(Worldwide)

HP Serviceguard for Linux ProLiant Cluster A.11.15 for SUSE SLES 8 / UnitedLinux 1.0 and Red Hat EL 3 (2 node license cluster kit) 305199-B24

HP Serviceguard for Linux ProLiant Cluster A.11.16 for SUSE SLES 9 and Red Hat EL & 4 (2 node license cluster kit) 305199-B26

HP Serviceguard for Linux License A.11.15 for SUSE SLES 8 / UnitedLinux 1.0 and Red Hat EL 3 (single license version) 307754-B24

HP Serviceguard for Linux A.11.16 for SUSE SLES9 and Red Hat EL 3 & 4 (single license version) 307754-B26

**NOTE:** For additional information regarding the HP Serviceguard for Linux License, please see the following QuickSpecs at:

[http://h18000.www1.hp.com/products/quickspecs/11518\\_na/11518\\_na.html](http://h18000.www1.hp.com/products/quickspecs/11518_na/11518_na.html)

(North America)

[http://h18000.www1.hp.com/products/quickspecs/11518\\_div/11518\\_div.html](http://h18000.www1.hp.com/products/quickspecs/11518_div/11518_div.html)

(Worldwide)

PDC/O5000-EVA Windows RAC Cluster Kit 252478-B25

ProLiant Parallel Database Cluster for Linux - Oracle9i Real Application Cluster 308225-B22

**NOTE:** For additional information regarding the ProLiant Parallel Database Cluster for Linux, please see the following QuickSpecs at:

[http://h18000.www1.hp.com/products/quickspecs/11688\\_na/11688\\_na.html](http://h18000.www1.hp.com/products/quickspecs/11688_na/11688_na.html)

(North America)

[http://h18000.www1.hp.com/products/quickspecs/11688\\_div/11688\\_div.html](http://h18000.www1.hp.com/products/quickspecs/11688_div/11688_div.html)

(Worldwide)

### Options

HP Parallel Database Cluster Model PDC/O2000-MSA1000 for Oracle Real Application Cluster on Windows 279406-B24

**NOTE:** For additional information regarding the HP Parallel Database Cluster Model PDC/O2000-MSA1000, please see the following QuickSpecs at:

[http://h18000.www1.hp.com/products/quickspecs/10889\\_na/10889\\_na.html](http://h18000.www1.hp.com/products/quickspecs/10889_na/10889_na.html)

(North America)

[http://h18000.www1.hp.com/products/quickspecs/10889\\_div/10889\\_div.html](http://h18000.www1.hp.com/products/quickspecs/10889_div/10889_div.html)

(Worldwide)

**HP StorageWorks Modular Smart Array 20** HP StorageWorks Modular Smart Array 20 335921-B21  
**NOTE:** Rack-mountable 12 (SATA) drive enclosure with U320 Host connectivity, redundant power supplies.

HP StorageWorks Modular Smart Array 20 Starter Kit 366172-B21

**NOTE:** Rack-mountable 12 (SATA) drive enclosure with U320 Host connectivity, redundant power supplies. Includes Smart Array 6402/128 Controller.

**NOTE:** The Modular Smart Array Enclosure 20 Family supports the SATA 1.5Gb/s 1" Hot Plug Hard Drives.

**HP StorageWorks Modular Smart Array 30** HP StorageWorks Modular Smart Array 30 SB 302969-B21  
**NOTE:** Rack-mountable 14 drive enclosure with single bus, redundant power supplies

HP StorageWorks Modular Smart Array 30 DB 302970-B21

**NOTE:** Rack-mountable 14 drive enclosure with dual bus, redundant power supplies

**NOTE:** The Modular Smart Array Enclosure 30 Family supports the Wide Ultra3, Ultra320 1" Hot Plug Hard Drives.

**HP StorageWorks Modular Smart Array 50** HP StorageWorks Modular Smart Array 50 Enclosure 364430-B21

**NOTE:** Supported by the SAS Models only.

**NOTE:** Please see the Modular Smart Array 50 QuickSpecs for additional information including configuration steps and additional options needed for a complete solution at:

[http://h18000.www1.hp.com/products/quickspecs/12245\\_na/12245\\_na.HTML](http://h18000.www1.hp.com/products/quickspecs/12245_na/12245_na.HTML)

(North America)

[http://h18000.www1.hp.com/products/quickspecs/12245\\_div/12245\\_div.HTML](http://h18000.www1.hp.com/products/quickspecs/12245_div/12245_div.HTML)

(Worldwide)

**HP StorageWorks Modular Smart Array 500 G2** HP StorageWorks Modular Smart Array 500 Generation 2 335880-B21

**NOTE:** Please see the Modular Smart Array 500 Generation 2 QuickSpecs for additional information including configuration steps and additional options needed for a complete solution at:

[http://h18000.www1.hp.com/products/quickspecs/11956\\_na/11956\\_na.HTML](http://h18000.www1.hp.com/products/quickspecs/11956_na/11956_na.HTML)

(North America)

[http://h18000.www1.hp.com/products/quickspecs/11956\\_div/11956\\_div.HTML](http://h18000.www1.hp.com/products/quickspecs/11956_div/11956_div.HTML)

(Worldwide)

### Options

<b>HP StorageWorks Modular Smart Array 1000</b>	HP StorageWorks Modular Smart Array 1000 <b>NOTE:</b> Please see the Modular Smart Array 1000 QuickSpecs for additional options and configuration information at <a href="http://h18000.www1.hp.com/products/quickspecs/11033_na/11033_na.HTML">http://h18000.www1.hp.com/products/quickspecs/11033_na/11033_na.HTML</a> (North America) <a href="http://h18000.www1.hp.com/products/quickspecs/11033_div/11033_div.HTML">http://h18000.www1.hp.com/products/quickspecs/11033_div/11033_div.HTML</a> (Worldwide)	201723-B22
<b>HP StorageWorks Modular Smart Array 1500 cs</b>	Modular Smart Array 1500 Controller Shelf <b>NOTE:</b> Please see the StorageWorks Modular SAN Array 1500 cs QuickSpecs for additional options and configuration information at: <a href="http://www.hp.com/go/MSA1500cs">http://www.hp.com/go/MSA1500cs</a>	AA986A
<b>StorageWorks Options</b>	StorageWorks 2 Gb, 64-bit/133 MHz PCI-X-to-Fibre Channel Host Bus Adapter for Windows 2000, Windows Server 2003 and Linux <b>NOTE:</b> FCA2214 2 Gb Fibre Channel Host Bus Adapter is a single channel, 64-bit/133 MHz PCI-X-to Fibre Channel Host Bus Adapter (HBA) with an embedded multi-mode optical interface FCA2404DC - HP StorageWorks 2 Gb, Dual Channel, 133 MHz PCI-X-to-Fibre Channel Host Bus Adapter for Windows® 2000, and Windows Server 2003 <b>NOTE:</b> FCA2404DC HP StorageWorks 2 Gb Fibre Channel Host Bus Adapter is a dual channel, 133 MHz, PCI-X to Fibre Channel Host Bus Adapter (HBA) with an embedded multi-mode optical interface. FCA2404 - StorageWorks 2 Gb, single channel, 133 MHz PCI-X-to-Fibre Channel Host Bus Adapter for Windows 2000, Windows NT and Windows Server 2003 <b>NOTE:</b> FCA2404 StorageWorks 2 Gb, Fibre Channel Host Bus Adapter is a single channel, multi-path failover, 133 MHz, PCI-X to Fibre Channel Host Bus Adapter (HBA) with an embedded multi-mode optical interface for ProLiant Server connects StorageWorks 2 Gb, Dual Port, 64-Bit/133 MHz PCI-X-to-Fibre Channel Host Bus Adapter for W2K, Windows Server 2003 and Linux <b>NOTE:</b> FCA2214DC StorageWorks 2 Gb Dual Port, Fibre Channel Host Bus Adapter is a 64-bit/133 MHz, PCI-X-to Fibre Channel Host Bus Adapter (HBA) with an embedded multi-mode optical interface. StorageWorks Director 2/64 StorageWorks SAN Switch 2/8-EL Upgrade <b>NOTE:</b> For additional information on Fibre Channel Host Bus Adapters and San Switches visit the following URL: <a href="http://h18000.www1.hp.com/storage/saninfrastructure.html">http://h18000.www1.hp.com/storage/saninfrastructure.html</a>	281541-B21  323264-B21  305573-B21  321835-B21  286809-B21 325888-B21

### Options

<b>Uninterruptible Power Systems - Rack</b>	HP UPS R1500 XR (100 to 127) (NA)	204404-001
	HP UPS R1500 XR (208 to 480) (Int'l)	204404-B31
	HP UPS R1500 XR (100 to 127) (Japan)	204404-291
	HP UPS R3000 XR (120V) (NA)	192186-001
	HP UPS R3000 XR (208V) (NA)	192186-002
	HP UPS R3000 XR (100V) (Japan)	192186-291
	HP UPS R3000 XR (208V) (Japan) HP UPS R3000 XR (200V) (Japan)	192186-292
	HP UPS R3000 XR (230V) (Int'l - detachable cord)	192186-B31
	HP UPS R3000 XR (230V) (16A IEC309 Plug)	192186-B32
	HP UPS R3000 XR (230V) (16A CEE 7/7 SCHUKO Plug)	192186-B33
	HP UPS R3000 XR (230V) (16A BS-546 Plug)	192186-AR1
	HP UPS R5500 XR, (5000VA, 4500 Watt), High Voltage (NA/Jpn)	326529-D71
	HP UPS R5500 XR, (6000VA, 5400 Watt), High Voltage (Int'l)	326529-B31
	HP UPS R12000 XR N+x (200-240V) (WW-hardwired)	207552-B22

**NOTE:** The UPS R12000 XR has a hardwired input and output connection.

<b>HP Monitored Power Distribution Unit (PDU)</b>	<b>HP Monitored Power Distribution Unit: Full Rack Version</b>	
	HP Power Distribution Unit with Power Monitoring Model S2324 - dual input, 3 phase, 24A (NA/JPN)	370959-D71
	HP Power Distribution Unit with Power Monitoring Model S1324 - single input, 3 phase, 24A (NA/JPN)	370960-D71
	HP Power Distribution Unit with Power Monitoring Model S2140 - dual input, 1 phase, 40A (NA/JPN)	370961-D71
	HP Power Distribution Unit with Power Monitoring Model S1140 - single input, 1 phase, 40A (NA/JPN)	370962-D71
	HP Power Distribution Unit with Power Monitoring Model S2316 - dual input, 3 phase, 16A (INTL)	370963-B31
	HP Power Distribution Unit with Power Monitoring Model S1316 - single input, 3 phase, 16A (INTL)	370964-B31
	HP Power Distribution Unit with Power Monitoring Model S2132 - dual input, 1 phase, 32A (INTL)	370965-B31
	HP Power Distribution Unit with Power Monitoring Model S1132 - single input, 1 phase, 32A (INTL)	370966-B31

### Options

<b>Modular Power Distribution Units 1U/0U</b> (Up to 32 outlets) <b>NOTE:</b> 1U/0U mounting brackets shipped with the unit (optimized for 10000 and 9000 series racks).	HP Modular Power Distribution Units (mPDU), Low Volt Model, 24A (100-127 VAC) (NA, Japan) <b>NOTE:</b> This mPDU (252663-D71) may also be used to connect the low volt model of the UPS R3000 XR.	252663-D71
	HP Modular Power Distribution Units (mPDU), High Volt Model, 24A (200-240 VAC) (NA, Japan)	252663-D72
	HP Modular Power Distribution Units (mPDU), High Volt Model, 32A (200-240 VAC) (Int'l)	252663-B31
	HP Modular Power Distribution Units (mPDU), High Volt Model, 40A (200-240 VAC) (WW)	252663-B21
	HP Modular Power Distribution Units (mPDU), High Volt Model, 16A (200-240 VAC) (WW) <b>NOTE:</b> This PDU has a detachable input power cord and allows for adaptability to country specific power requirements. This model may also be used with the high volt UPSs R3000 XR and R6000 For North America, need to order cable PN 340653-001.	252663-B24
	HP Modular Power Distribution Unit (mPDU), High Volt Model, 40A, Attached Cord, (NA/JPN)	252663-D73
	HP Modular Power Distribution Unit (mPDU), High Volt Model, 40A, Attached Cord, (Int'l) <b>NOTE:</b> Please see the following Modular Power Distribution Unit (Zero-U/1U Modular PDUs) QuickSpecs for additional options including shorter jumper cables and country specific power cords: <a href="http://h18000.www1.hp.com/products/quickspecs/11041_na/11041_na.HTML">http://h18000.www1.hp.com/products/quickspecs/11041_na/11041_na.HTML</a> (North America) <a href="http://h18000.www1.hp.com/products/quickspecs/11041_div/11041_div.HTML">http://h18000.www1.hp.com/products/quickspecs/11041_div/11041_div.HTML</a> (Worldwide)	252663-B32
<b>USB Options</b>	HP USB 2-Button Optical Scroll Mouse (Carbonite/Silver)	DC172B
	USB 1.44-MB External Diskette Drive (Carbonite)	DC141B
	256MB HP Drive Key II (USB 2.0)	PH657A
<b>Third Party Rack Adapter Kit</b> (for wide racks)	Rack Adapter Kit <b>NOTE:</b> Not required for most racks. This kit allows HP rack servers to fit in racks that are 24" wide.	332815-B21
<b>Rack Shipping Kit</b>	ProLiant DL380 G4, ML370 G4, ML350 G4 Shipping Bracket for Round Hole Racks <b>NOTE:</b> Required when shipping HP ProLiant DL380 G4, HP ProLiant ML370 G4, or the HP ProLiant ML350 G4 pre-installed in round hole rack. Square hole pre-configured rack shipping hardware included with server mounting rails.	371482-B21

### Options

HP Rack 5000 Series (Graphite Metallic)	HP 5642 Rack-Unassembled	358254-B21
Rack Options for Rack 5000 Series	Stabilizer Kit for 5642 rack (Graphite Carbon) <b>NOTE:</b> The stabilizing kit is used to prevent rack from tipping over.	374493-B21
	Baying Kit for 5642 rack (Graphite Carbon) <b>NOTE:</b> The baying kit is used to join two or more HP 5642 racks.	374499-B21
HP Rack 10000 Series (Graphite Metallic)	10642 (42U) Infrastructure Rack (Low Voltage)	379006-001
	10642 (42U) Infrastructure Rack (High Voltage)	379005-001
	HP S10614 (14U) Rack Cabinet - Shock Pallet	292302-B22
	HP 10842 (42U) Rack Cabinet - Pallet	257415-B21
	HP 10842 (42U) Rack Cabinet - Shock Pallet	257415-B22
	HP 10647 (47U) Rack Cabinet - Pallet	245160-B21
	HP 10647 (47U) Rack Cabinet - Crated	245160-B23
	HP 10642 (42U) Rack Cabinet - Pallet	245161-B21
	HP 10642 (42U) Rack Cabinet - Shock Pallet	245161-B22
	HP 10642 (42U) Rack Cabinet - Crated	245161-B23
	HP 10636 (36U) Rack Cabinet - Pallet	245162-B21
	HP 10636 (36U) Rack Cabinet - Shock Pallet	245162-B22
	HP 10636 (36U) Rack Cabinet - Crated	245162-B23
	HP 10622 (22U) Rack Cabinet - Pallet	245163-B21
	HP 10622 (22U) Rack Cabinet - Shock Pallet	245163-B22
	HP 10622 (22U) Rack Cabinet - Crated	245163-B23
<p><b>NOTE:</b> -B21 (pallet) used to ship empty racks shipped on a truck            -B22 (shock pallet) used to ship racks with equipment installed (by custom systems, VARs and Channels)            -B23 (crated) used for air shipments of empty racks</p> <p><b>NOTE:</b> It is mandatory to use a shock pallet in order to ship racks with equipment installed.</p> <p><b>NOTE:</b> Please see the Rack 10000 QuickSpecs for Technical Specifications such as height, width, depth, weight, and color:  <a href="http://h18000.www1.hp.com/products/quickspecs/10995_div/10995_div.HTML">http://h18000.www1.hp.com/products/quickspecs/10995_div/10995_div.HTML</a>            (Worldwide)  <a href="http://h18000.www1.hp.com/products/quickspecs/10995_na/10995_na.HTML">http://h18000.www1.hp.com/products/quickspecs/10995_na/10995_na.HTML</a>            (North America)</p> <p><b>NOTE:</b> For additional information regarding Rack Cabinets, please see the following URL: <a href="http://h18000.www1.hp.com/products/servers/proliantstorage/rack-options/index.html">http://h18000.www1.hp.com/products/servers/proliantstorage/rack-options/index.html</a>.</p>		

### Options

Rack Options for HP Rack 10000 Series	HP Rack Light Kit (Neon)	361589-B21		
	HP Rack Plinth Kit (Carbon)	251960-B21		
	42U Side Panel - Graphite Metallic	246099-B21		
	36U Side Panel - Graphite Metallic	246102-B21		
	47U Side Panel - Graphite Metallic	255486-B21		
	TFT7210R Rack Mounted 17" Monitor	348373-B21		
	<b>NOTE: For a complete list of Monitors please view the following URL:</b> <a href="http://h18004.www1.hp.com/products/monitors/">http://h18004.www1.hp.com/products/monitors/</a> .			
	TFT5600 Rack Keyboard Monitor	221546-xx1		
	<b>NOTE: For a complete list of Monitors please view the following URL:</b> <a href="http://h18004.www1.hp.com/products/monitors/">http://h18004.www1.hp.com/products/monitors/</a> .			
	1U Rack Keyboard & Drawer (Carbon)	257054-xx1		
	<b>Country Code Key</b> (for TFT5600 Rack Keyboard Monitor (PN 221546-xx1 and for 1U Rack Keyboard & Drawer (PN 257054-xx1)			
	XX = 001	US	XX = 091	Norway
	XX = 031	UK	XX = 101	Sweden/Finland
XX = 041	Germany	XX = 111	Switzerland	
XX = 051	France	XX = 131	Portugal	
XX = 061	Italy	XX = 181	Belgium	
XX = 071	Spain	XX = 291	Japan	
XX = 081	Denmark	XX = B31	International	
<b>NOTE: For additional information regarding Rack Options, please see the following URL:</b> <a href="http://h18000.www1.hp.com/products/servers/proliantstorage/rack-options/index.html">http://h18000.www1.hp.com/products/servers/proliantstorage/rack-options/index.html</a> .				

HP KVM Switch Options	Server Console Switch (KVM), 0 x 1 x 8 port	336044-B21
	Server Console Switch (KVM), 0 x 2 x 16 port	336045-B21
	IP Console Switch Box (KVM/IP), 1 x 1 x 16	262585-B21
	IP Console Switch Box (KVM/IP), 3 x 1 x 16	262586-B21
	HP 1x4 USB/PS2 KVM Switch, RM (ALL)	371302-B21
	HP 1x4 USB/PS2 KVM Switch, TT, (EURO)	371301-A21
	HP 1x4 USB/PS2 KVM Switch, TT (UK)	371301-031
	HP 1x4 USB/PS2 KVM Switch, TT, (AUST/NZ)	371301-011
	HP 1x4 USB/PS2 KVM Switch, TT, (NA/JPN)	371301-D71
	PS/2 Interface Adapter, 8 pack	262587-B21
	PS/2 Interface Adapter, 1 pack	262588-B21
	CAT5 KVM Expansion Module	262589-B21
	Serial Interface adapter - 1 Pack with power supply	373035-B21
	CAT5e Cable 3', 4 pack	263474-B21
	CAT5e Cable 6', 8 pack	263474-B22
	CAT5e Cable 12', 8 pack	263474-B23
	CAT5e Cable 20', 4 pack	263474-B24
	CAT5e Cable 40', 1 pack	263474-B25
	HP 16-Port Serial Console Server (WW)	AF101A

### Options

HP 48-Port Serial Console Server (WW)	AF102A
Adapter, RJ45-DB9 DCE Female, 1 Pack	AF103A
Adapter, RJ45-DB9 DCE Female, 8 Pack	AF110A

**NOTE:** For additional information regarding Serial Adapters and KVM information, please refer to: <http://www.hp.com/go/kvm>

### Service and Support Offerings (HP Care Pack Services)

#### Hardware Services On-site Service

4-Hour On-site Service, 5-Day x 13-Hour Coverage, 3 Years, Electronic	U4544E
4-Hour On-site Service, 7-Day x 24-Hour Coverage, 3 Years, Electronic	U4545E

#### Hardware Services 6-Hour Call to Repair On-site Service

6-Hour Call to Repair, On-site Service, 7-Day x 24-Hour Coverage, 3 Years, Electronic	U4546E
---	--------

#### Installation & Start-up Services

Hardware Installation, Electronic	U4554E
Installation & Start-Up of a ProLiant server and Microsoft or Linux O/S per the Customer Description and/or Data Sheet. To be delivered on a scheduled basis 8am-5pm, M-F, excl. HP holidays, Electronic	U4555E
Installation and Startup for Essentials Rapid Deployment Pack, Electronic	U5683E

#### Support Plus

Onsite HW support, 8am-9pm, M-F, 4hr response and Microsoft O/S SW Tech support offsite, onsite at HP's discretion, 8am-9pm, M-F 2hr response time excl. HP holidays, Electronic	U4556E
--	--------

#### Support Plus 24

Onsite HW support 24x7, 4hr response and Microsoft O/S SW Tech support offsite, onsite at HP's discretion, 24x7 2hr response time incl. HP holidays, Electronic	U4557E
Onsite HW support 24x7, 4hr response and SuSE Linux SW Tech support offsite, onsite at HP's discretion, 24x7 2hr response time incl. HP holidays, Electronic	U6312E
Onsite HW support 24x7, 4hr response and Red Hat ES Linux SW Tech support offsite, onsite at HP's discretion, 24x7 2hr response time incl. HP holidays, Electronic	U8334E

**NOTE:** For more information, customer/resellers can contact <http://www.hp.com/services/carepack>.

### Memory

**NOTE:** Memory configurations listed do not apply to "Factory Integrated Models".

#### HP ProLiant Model DL380 Generation 4 (G4) Base (1P) Models

##### Standard Memory

1 GB PC2 3200 DDR2 SDRAM running at 400MHz comes installed (2 x 512 MB SDRAM)

##### Standard Memory Plus Optional Memory

Up to 9 GB memory is available with the optional installation of PC2 3200 Registered DDR2 SDRAM DIMM Memory Option Kit

##### Standard Memory Replaced with Optional Memory

Up to 12 GB of memory is available with the removal of the standard 512 MB of memory and the optional installation of PC2 3200 Registered DDR2 SDRAM DIMM Memory Option Kit

**NOTE:** Chart does not represent all possible memory configurations.

Memory		Slot					
		1	2	3	4	5	6
Standard	1GB	512MB	512MB	Empty	Empty	Empty	Empty
Optional	9GB	512MB	512MB	2GB	2GB	2GB	2GB
Maximum	12GB	2GB	2GB	2GB	2GB	2GB	2GB

**NOTE:** In the online spare configuration, the ROM automatically configures the last populated bank as the spare memory. If only banks A and B are populated, bank B is the spare bank. If banks A, B, and C are populated, bank C is the spare bank, Online spare memory is configured through RBSU.

Following are the single-rank memory options available from HP:

- 1GB of Advanced PC2 PC3200 DDR2 SDRAM DIMM Memory Kit (2 x 512 MB) 343055-B21
- 2GB of Advanced PC2 PC3200 DDR2 SDRAM DIMM Memory Kit (2 x 1024 MB) 343056-B21
- 4GB of Single-Ranked PC2 PC3200 DDR2 SDRAM DIMM Memory Kit (2 x 2048 MB) 343057-B21
- 4 GB of 2-Rank Advanced ECC PC3200 DDR2-400 SDRAM DIMM Memory Kit (2 x 2048 MB) 375004-B21

#### HP ProLiant Model DL380 Generation 4 (G4) High Performance (2P) Model

##### Standard Memory

2 GB PC2 3200 DDR2 SDRAM running at 400MHz comes installed (2 x 1024 MB SDRAM)

##### Standard Memory Plus Optional Memory

Up to 10 GB memory is available with the optional installation of PC2 3200 Registered DDR2 SDRAM DIMM Memory Option Kit

##### Standard Memory Replaced with Optional Memory

Up to 12 GB of memory is available with the removal of the standard 512 MB of memory and the optional installation of PC2 3200 Registered DDR2 SDRAM DIMM Memory Option Kit

**NOTE:** Chart does not represent all possible memory configurations.

Memory		Slot					
		1	2	3	4	5	6
Standard	2 GB	1024 MB	1024 MB	Empty	Empty	Empty	Empty
Optional	9 GB	1024 MB	1024 MB	2 GB	2 GB	2 GB	2 GB
Maximum	12 GB	2 GB	2 GB	2 GB	2 GB	2 GB	2 GB

### Memory

**NOTE:** In the online spare configuration, the ROM automatically configures the last populated bank as the spare memory. If only banks A and B are populated, bank B is the spare bank. If banks A, B, and C are populated, bank C is the spare bank, Online spare memory is configured through RBSU.

Following are the single rank memory options available from HP:

- 1GB of Advanced PC2 PC3200 DDR2 SDRAM DIMM Memory Kit (2 x 512 MB) 343055-B21
- 2GB of Advanced PC2 PC3200 DDR2 SDRAM DIMM Memory Kit (2 x 1024 MB) 343056-B21
- 4GB of Advanced PC2 PC3200 DDR2 SDRAM DIMM Memory Kit (2 x 2048 MB) 343057-B21

#### HP ProLiant Model DL380 Generation 4 (G4) Dual Rank Support:

Following is the dual rank memory option available from HP:

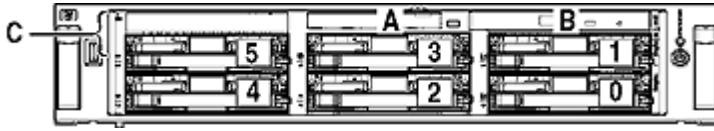
- 4 GB of 2-Rank Advanced ECC PC3200 DDR2-400 SDRAM DIMM Memory Kit (2 x 2048 MB) 375004-B21

Following are the single/dual rank memory population rules for the HP ProLiant DL380 G4.

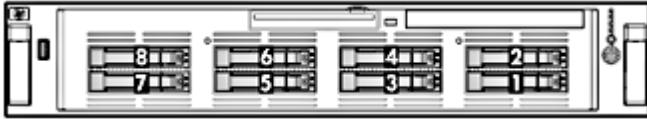
**Key:** S denotes single rank kit, D denotes Dual rank kit, and X denotes no install.

Bank A	Bank B	Bank C	NOTES:
S	X	X	
S	S	X	
S	S	S	
D	X	X	Online spare not supported
D	S	X	Online spare not supported
D	S	S	Online spare not supported
D	D	X	Online spare not supported

### Storage



- 0 - 5 Six 1" Ultra320 SCSI hot plug hard drive bays
- A 1.44-MB Diskette Drive
- B 24x IDE CD-ROM (Universal Media Bay)
- C Six 1" Wide Ultra3/Ultra320 SCSI hot plug hard drives or for five hot plug hard drives and one DAT 40 or DAT 72 hot plug tape drive



- 1-8 Eight 2.5" SAS hot plug hard drive bays

### Drive Support

	Quantity Supported	Position Supported	Controller
<b>Removable Media</b>			
1.44-MB Diskette Drive	1	A	Integrated IDE <b>NOTE:</b> <a href="#">Optional except on high performance models</a>
IDE CD-ROM Drive	1	B	Integrated IDE <b>NOTE:</b> <a href="#">Standard on base models</a>
Slimline DVD-ROM (8x24x) Option Kit (Servers)	1	B	Integrated IDE <b>NOTE:</b> <a href="#">Standard on high performance models</a>

### Hard Drives

#### Ultra320 SCSI - Hot Plug Drives

	Quantity Supported	Position Supported	Controller
1-inch	Up to 6	0-5	Smart Array 6i Controller (integrated on system board)
300-GB 10,000 rpm			Smart Array 6402/128 Controller
146.8-GB 10,000 rpm			Smart Array 6404/256 Controller
72.8-GB 10,000 rpm			Smart Array 641 Controller
146.8-GB 15,000 rpm			Smart Array 642 Controller
72.8-GB 15,000 rpm			64-Bit/133-MHz Dual Channel Ultra320 SCSI Adapter
36.4-GB 15,000 rpm			

**NOTE:** All U320 Universal Hard Drives are backward compatible to U2 or U3 speeds.

## Storage

### SATA - Hot Plug Drives

	Quantity Supported	Position Supported	Controller
2.5-inch 60-GB 5,400 rpm	Up to 8	0-7	Smart Array P600 Controller

### SAS - Hot Plug Drives

	Quantity Supported	Position Supported	Controller
2.5-inch 36-GB 10,000 rpm 72-GB 10,000 rpm	Up to 8	1-8	Smart Array P600 Controller

## External Storage

	Quantity Supported	Position Supported	Host Controller or Adapter
Modular Smart Array 20	1 per SCSI VHDCI connector	External	Smart Array 6i Controller Smart Array 6402/128 Controller Smart Array 6404/256 Controller
Modular Smart Array 30	1 per SCSI VHDCI connector	External	Smart Array 6i Controller Smart Array 6402/128 Controller Smart Array 6404/256 Controller Smart Array 642 Controller 64-Bit/133-MHz Dual Channel Ultra320 SCSI Adapter
Modular Smart Array 50 Enclosure	2 per connector (supports 1 + 1 cascading)	External	HP Smart Array P600 Controller
Modular Smart Array 500 G2	1 per SCSI	External	Smart Array 6i Controller Smart Array 642 Controller (used as Host Bus Adapter) Please see the Modular Smart Array 500 G2 QuickSpecs for the latest list of supported HBAs: <a href="http://www.hp.com/go/msa500">http://www.hp.com/go/msa500</a>
Modular Smart Array 1500 cs	Please see the Modular Smart Array 1500 cs QuickSpecs link below to determine configuration requirements	External	Please see the Modular Smart Array 1500 QuickSpecs (URL below) for the latest list of supported HBAs
Modular Smart Array 1000	Please see the Modular Smart Array 1000 QuickSpecs link below to determine configuration requirements	External	Please see the Modular Smart Array 1000 QuickSpecs (URL below) for the latest list of supported HBAs

## Storage

Modular Smart Array 1000: [http://h18000.www1.hp.com/products/quickspecs/11033\\_div/11033\\_div.HTML](http://h18000.www1.hp.com/products/quickspecs/11033_div/11033_div.HTML) (Worldwide)  
[http://h18000.www1.hp.com/products/quickspecs/11033\\_na/11033\\_na.HTML](http://h18000.www1.hp.com/products/quickspecs/11033_na/11033_na.HTML) (North America)

Modular Smart Array 1500: <http://www.hp.com/go/MSA1500cs>

### Maximum Storage Capacity - (Enclosure SCSI Attached)

Internal	1.80 TB (6 x 300 GB Ultra320 1")
External	54.60 TB (13 x (14 x 300 GB Ultra320 1"))
Total	58.20 TB

### Maximum Storage Capacity - (SAS Models with MSA50)

Internal	576 GB (8 x 72 GB SAS 2.5")
External	1.44 TB (20 x 72 GB SAS 2.5")
Total	1.728 TB (4 x 72 GB int. + 20 x 72 GB ext.)

## Tape Drives, Tape Autoloaders, & Tape Libraries

**NOTE:** For an up-to-date listing of the latest O/S Support details for each of the Tape Drives listed below, please see the following:  
[http://h18000.www1.hp.com/products/quickspecs/North\\_America/10233.html](http://h18000.www1.hp.com/products/quickspecs/North_America/10233.html) (North America)  
<http://h18000.www1.hp.com/products/quickspecs/Division/10233.html> (Worldwide)

**NOTE:** For an up-to-date listing of the latest O/S Support details for each of the Tape Autoloaders and Tape Libraries listed below, please see the following:  
[http://h18000.www1.hp.com/products/quickspecs/North\\_America/10809.html](http://h18000.www1.hp.com/products/quickspecs/North_America/10809.html) (North America)  
<http://h18000.www1.hp.com/products/quickspecs/Division/10809.html> (Worldwide)

**NOTE:** For complete listing of tape drive offerings see  
<http://www.hp.com/products/1/storage/compatibility/tapebackup/ISS/index.html>  
 For recommended tape drive offerings for this ProLiant server see the following:

	Quantity Supported	Position Supported	Controller
HP StorageWorks Tape Drives, Hot Plug DAT 40 Hot Plug DAT 72 Hot Plug	1	C	Smart Array 6i Controller (integrated on system board)
HP StorageWorks Tape Drives, External DAT 24 USB DAT 40 USB DAT 72 USB	1	External	USB Port
HP StorageWorks Tape Drives, External Ultrium 960 SDLT 600	1 per SCSI channel	External	64-Bit/133MHz Dual Channel Ultra320 SCSI Adapter 64-Bit/133-MHz Single Channel Ultra320 SCSI HBA G2

## Storage

<p><b>HP StorageWorks Tape Drives, Internal</b>            Ultrium 215            Ultrium 230            Ultrium 232            Ultrium 448            Ultrium 460            DAT 72            DAT 40            DAT 24            DLT VS80            DLT VS160            SDLT 320</p>	Up to 2	Rack-mount enclosure	Smart Array 6i Controller (integrated on system board) <b>NOTE:</b> Ultrium 960, Ultrium 448 and Ultrium 232 require one of the following HBA's: 64-Bit/133MHz Dual Channel Ultra320 SCSI Adapter 64-Bit/133-MHz Single Channel Ultra320 SCSI HBA G2
<p><b>HP StorageWorks Tape Drives, Internal</b>            Ultrium 960            SDLT 600</p>	Up to 1	Rack-mount enclosure	64-Bit/133MHz Dual Channel Ultra320 SCSI Adapter 64-Bit/133-MHz Single Channel Ultra320 SCSI HBA G2
<p><b>HP StorageWorks Tape Drives, External</b>            Ultrium 215            Ultrium 230            Ultrium 232            Ultrium 448            Ultrium 460            DAT 24            DAT 40            DAT 72            DLT VS80            DLT VS160            SDLT 320</p>	Up to 2	External	Smart Array 6i Controller (integrated on system board) <b>NOTE:</b> The Ultrium 960, Ultrium 448, Ultrium 232 and all DAT drives require one of the following options: 64-Bit/133MHz Dual Channel Ultra320 SCSI Adapter 64-Bit/133-MHz Single Channel Ultra320 SCSI HBA G2
<p><b>HP StorageWorks Tape Drives, External</b>            Ultrium 960            SDLT 600</p>	1 per SCSI channel	External	64-Bit/133MHz Dual Channel Ultra320 SCSI Adapter 64-Bit/133-MHz Single Channel Ultra320 SCSI HBA G2
<p><b>HP StorageWorks Rack-mount Tape Drive Enclosures</b>            1U Rack-Mount Kit            3U Rack-Mount Kit            5U Rack-Mount Kit</p>	1 per SCSI channel	External	64-Bit/133MHz Dual Channel Ultra320 SCSI Adapter 64-Bit/133-MHz Single Channel Ultra320 SCSI HBA G2

### Storage

<b>HP StorageWorks Autoloaders, External</b> DAT 72x6 Tape Autoloader 1/8 Tape Autoloader SSL1016 Tape Autoloader	1 autoloader per SCSI channel	External	64-Bit/133MHz Dual Channel Ultra320 SCSI Adapter 64-Bit/133-MHz Single Channel Ultra320 SCSI HBA G2 64-Bit/66-MHz Dual Channel Wide Ultra3 SCSI Adapter, Alternate OS
--	-------------------------------	----------	---

<b>HP StorageWorks Tape Libraries, External</b> MSL2024 (Ultrium 960-based) MSL2024 (Ultrium 448-based) MSL6000 (Ultrium 960 -based) MSL6000 (SDLT 600-based) MSL6000 (Ultrium 460 -based) MSL5026S2 (SDLT 320-based) MSL5052S2 (SDLT 320-based)	Please reference the MSL Tape Library QuickSpecs to determine configuration requirements	External	Please consult the EBS connectivity matrix at <a href="http://www.hp.com/go/ebs">http://www.hp.com/go/ebs</a> for detailed connectivity information
---	--	----------	---

### Power Specifications

Power Supply Specification	Part number		321632-001			
	Spare Kit		355892-B21			
Operational Input Voltage Range (V rms)	90 - 264					
Frequency Range (Nominal) (Hz)	47 - 63 ( 50 / 60 )					
Nominal Input Voltage (V rms)	100	115	208	220	230	240
Max Rated Output Wattage Rating	575	575	575	575	575	575
Nominal Input Current (A rms)	7.4	6.4	3.4	3.2	3.1	2.9
Max Rated Input Wattage Rating (Watts)	728	719	701	693	693	693
Max. Rated VA (Volt-Amp)	743	733	716	707	707	707
Efficiency (%)	79	80	82	83	83	83
Power Factor	0.98					
Leakage Current (mA)	0.31	0.36	0.65	0.69	0.72	0.75
Max. Inrush Current (A peak)	35	35	35	35	35	35
Max. Inrush Current duration (mS)	2-3					
Power cord requirements	Nema 5-15P to IEC320-C13 Option no. / Spare no: See chart on Page 2					
	IEC320-C13 to IEC320-C14 Option no. / Spare no.: 142259-001/142258-B21					

#### NOTES:

- To review typical system power ratings use the Active Answers Power Calculator which is available via the online tool located at url: <http://h30099.www3.hp.com/configurator/calc/Power%20Calculator%20Catalog.xls>

To drill down to calculators:

- Click on: "ProLiant Servers"
- Click on the Server of interest. Example: DL380 G4
- Click on: "Power Calculator" link. (You may need to scroll down to see it)

# - Power cords (13 Cord Sets)	Country	Power Cord Part Number
	APD	139867-006
	APD	100613-003
	APD	100614-003
	Australia	100611-007
	Europe	100614-003
	France	100614-003
	Germany	100614-003
	Japan	139867-006
	PRC	139867-006
	PRC	100613-003
	PRC	100661-007
	UK	100613-003
	US	163719-002

### Technical Specifications

<b>System Unit</b>	<b>Dimensions</b> (HxWxD) (with feet/bezel)	3.38 x 17.54 x 26.01 in (8.59 x 44.54 x 66.07 cm)
	<b>Weight</b> (approximate)	Maximum 60 lb (27.22 kg) No drives: 47.18 lb (20.41 kg)
	<b>Input Requirements</b> (per power supply)	Rated Input Voltage 100-132 VAC, 200-240 VAC Rated Input Current 7.5A (100VAC), 3.8A (200VAC) Rated Input Frequency 50 to 60 Hz Rated Input Power 735 W
	<b>BTU Rating</b>	2508 BTU/HR
	<b>Power Specifications</b>	To review typical system power ratings use the Active Answers Power Calculator which is available via the online tool located at URL: <a href="http://h30099.www3.hp.com/configurator/powercalcs.asp">http://h30099.www3.hp.com/configurator/powercalcs.asp</a> . To drill down to calculators: - Click on: "ProLiant Servers" - Click on the Server of interest. Example: DL380 G4 - Click on: "Power Calculator" link. (You may need to scroll down to see it.)
	<b>SCSI Connectors</b>	One external VHDCI connector
	<b>Power Supply Output Power</b> (per power supply)	Rated Steady-State Power 575W  Maximum Peak Power 575W
	<b>Temperature Range</b> <b>NOTE:</b> All temperature ratings shown are for sea level. An altitude derating of 1 C° per 300 m (1.8 FR per 1000 ft) to 3048 m (10,000 ft) is applicable. No direct sunlight allowed.	Operating 50° to 95° F (10° to 35° C)  Shipping -40° to 158° F (-40° to 70° C)
	<b>Maximum Wet Bulb Temperature</b>	82.4° F (28° C)
	<b>Relative Humidity</b> (non-condensing) <b>NOTE:</b> Storage maximum humidity of 95% is based on a maximum temperature of 45°C (113°F). Altitude maximum for storage corresponds to a pressure minimum of 70 kPa.	Operating 10% to 90%  Shipping 5% to 95%

## Technical Specifications

Acoustic Noise	Idle Minimum (Fixed Disk Drives Spinning)	
	L WAd (BELS)	7.4
	L pAm (dBA)	58
	Operating Minimum (Random Seeks to Fixed Disks)	
	L WAd (BELS)	7.4
	L pAm (dBA)	58

Smart Array 6i Controller (Ultra320), Integrated	Data Compatible with all Smart Array Controllers	Yes
	Instant Upgrades to other Smart Array Controllers	Yes
	Consistent Software Manageability Tools	Yes
	PCI-X Bus	64-bit up to 133 MHz (integrated on system board)
	Electrical Protocol	Low Voltage Differential (LVD)
	SCSI Protocols Supported	Ultra 320, Ultra3, Ultra2
	SCSI Peak Data Transfer Rate	320 MB/s per channel
	Channels	Two 68-Pin Wide-Ultra SCSI-3 connectors
	SCSI Ports (external/internal)	1/2 <b>NOTE:</b> The HP ProLiant DL380 G4 external SCSI port can only be used if PORT 1 of the system board is NOT connected to the internal SCSI backplane.
	Logical Drives Supported	Supports up to 32 RAID volume
	Cache	64 MB Read Cache
	Battery-Backed Write Cache	Yes, with installation of Battery-Backed Write Cache Enabler, up to 128MB
	RAID Support	0, 1, 1+0, 5
	Online Configuration	Yes
	Online Capacity Expansion	Yes
	Logical Drive Capacity Extension	Yes
	Online Stripe Size Migration	Yes
	Online RAID Level Migration	Yes
	Online Spare Support	Yes
	Automatic Data Recovery	Yes
Drive Roaming	Yes	
Redundant Controllers	No	

### Technical Specifications

<b>Smart Array P600 Controller</b> (SAS models only)	<b>Disk Drive and Enclosure Protocol Support Architecture</b>	3 Gbps SAS (Serial Attached SCSI) 1.5 Gbps SATA (Serial AT Attachment) 1.5 Gb SATA
	<b>SAS Connectors</b>	1 internal SFF8484 & 1 external SFF8470 / internal SFF8484 shared x4 Wide SAS Ports 12 Gbps per x4 Wide SAS Port (4 x 3 Gbps)
	<b>Data Transfer Method</b>	64-bit wide, PCI-X 133 MHz (1 GB/s maximum bandwidth)
	<b>PCI Bus Speed</b>	PCI-X-133 and 3.3 volt PCI compatibility only
	<b>Memory Bus Speed</b>	DDR-266 and 72 bit wide bus
	<b>PCI</b>	64-bit, 133-MHz PCI-X (1 GB/s maximum bandwidth)
	<b>Simultaneous Drive Transfer Ports</b>	PCI-X and 3.3 volt PCI compatibility only
	<b>Port Transfer Rate</b>	2 x4 Wide SAS Ports
	<b>Software upgradeable Firmware</b>	12 Gb/s per x4 Wide SAS Port (4 x 3 Gb/s)
	<b>Cache Memory</b>	Yes
	<b>Logical Drives Supported</b>	256 MB Read/Write (512-MB module upgrade available); ECC protection, battery-backed, and removable
	<b>Maximum Capacity</b>	Up to 32 logical drives Up to 2.2 TB per logical drive
	<b>Memory Addressing</b>	2.7 TB (38 x 72 GB) 64-bit, supporting servers memory greater than 4 GB
	<b>RAID Support</b>	RAID 6 (Advanced Data Guarding) RAID 5 (Distributed Data Guarding) RAID 1+0 (Striping & Mirroring) RAID 0 (Striping)
	<b>Upgradeable Firmware</b>	4-MB flashable ROM
	<b>Disk Drive and Enclosure Protocol Support</b>	3 Gb SAS and 1.5 Gb SATA

### Technical Specifications

<b>Embedded NC7782 Dual Port PCI-X 10/100/1000T Gigabit network adapter</b>	<b>Network Interface</b>	10Base-T/100Base-TX/1000Base-TX		
	<b>Compatibility</b>	IEEE 802.3 10Base-T		
		IEEE 802.3ab 1000Base-T		
		IEEE 802.3u 100Base-TX		
	<b>Data Transfer Method</b>	64-bit bus-master PCI-X		
	<b>Network Transfer Rate</b>	10Base-T (Half-Duplex),	10 Mb/s	
		10Base-T (Full-Duplex)	20 Mb/s	
		100Base-TX (Half-Duplex)	100 Mb/s	
		100Base-TX (Full-Duplex)	200 Mb/s	
		1000Base-TX (Half and Full-Duplex)	2000 Mb/s	
<b>Connector</b>	Two RJ-45			
<b>Cable Support</b>	10Base-T	Categories 3, 4 or 5 UTP; up to 328 ft (100 m)		
	100Base-TX	Category 5 or higher UTP; up to 328 ft (100 m)		
	1000BaseTX	Category 5 or higher UTP; up to 328 ft (100 m)		

© Copyright 2006 Hewlett-Packard Development Company, L.P.

The information contained herein is subject to change without notice.

Microsoft and Windows NT are US registered trademarks of Microsoft Corporation. Intel is a US registered trademark of Intel Corporation.

The only warranties for HP products and services are set forth in the express warranty statements accompanying such products and services. Nothing herein should be construed as constituting an additional warranty. HP shall not be liable for technical or editorial errors or omissions contained herein.